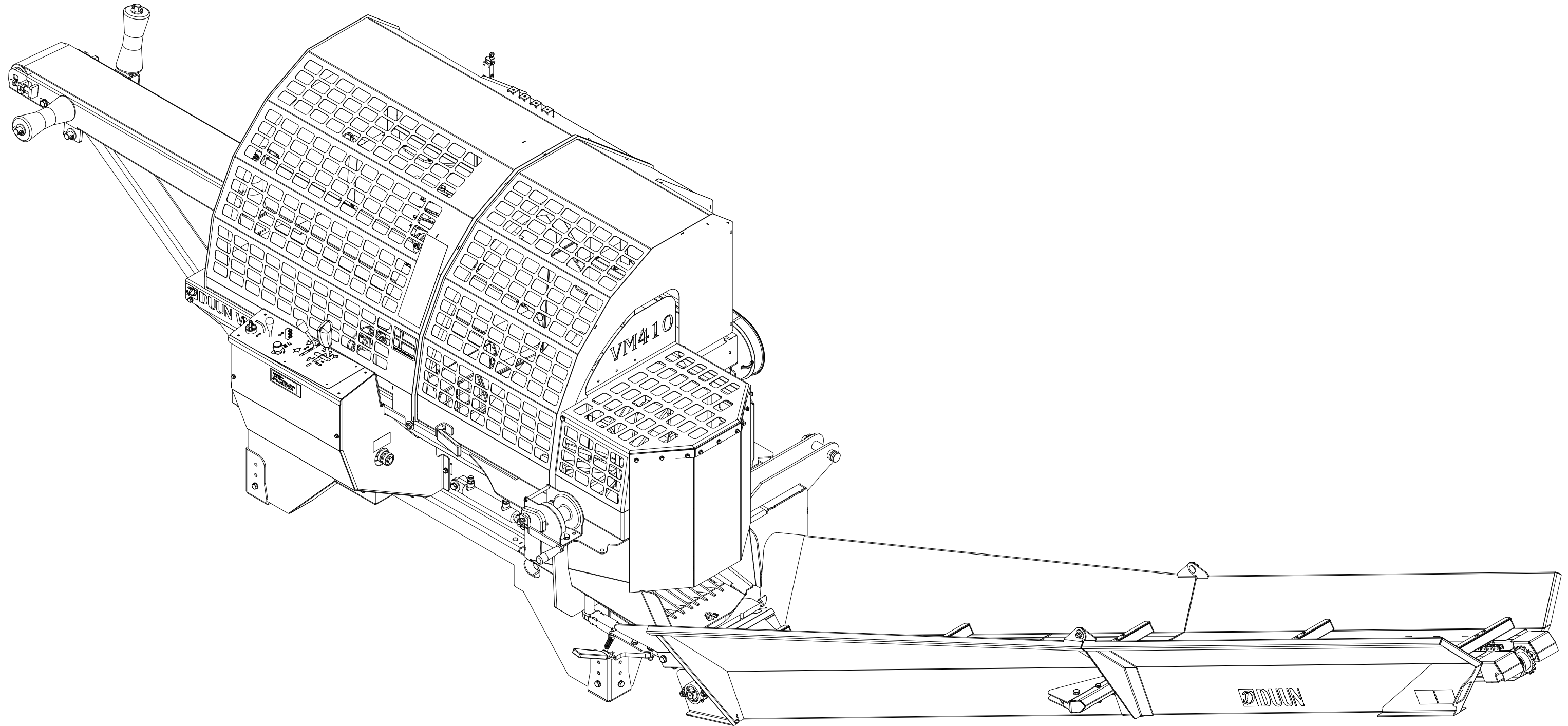


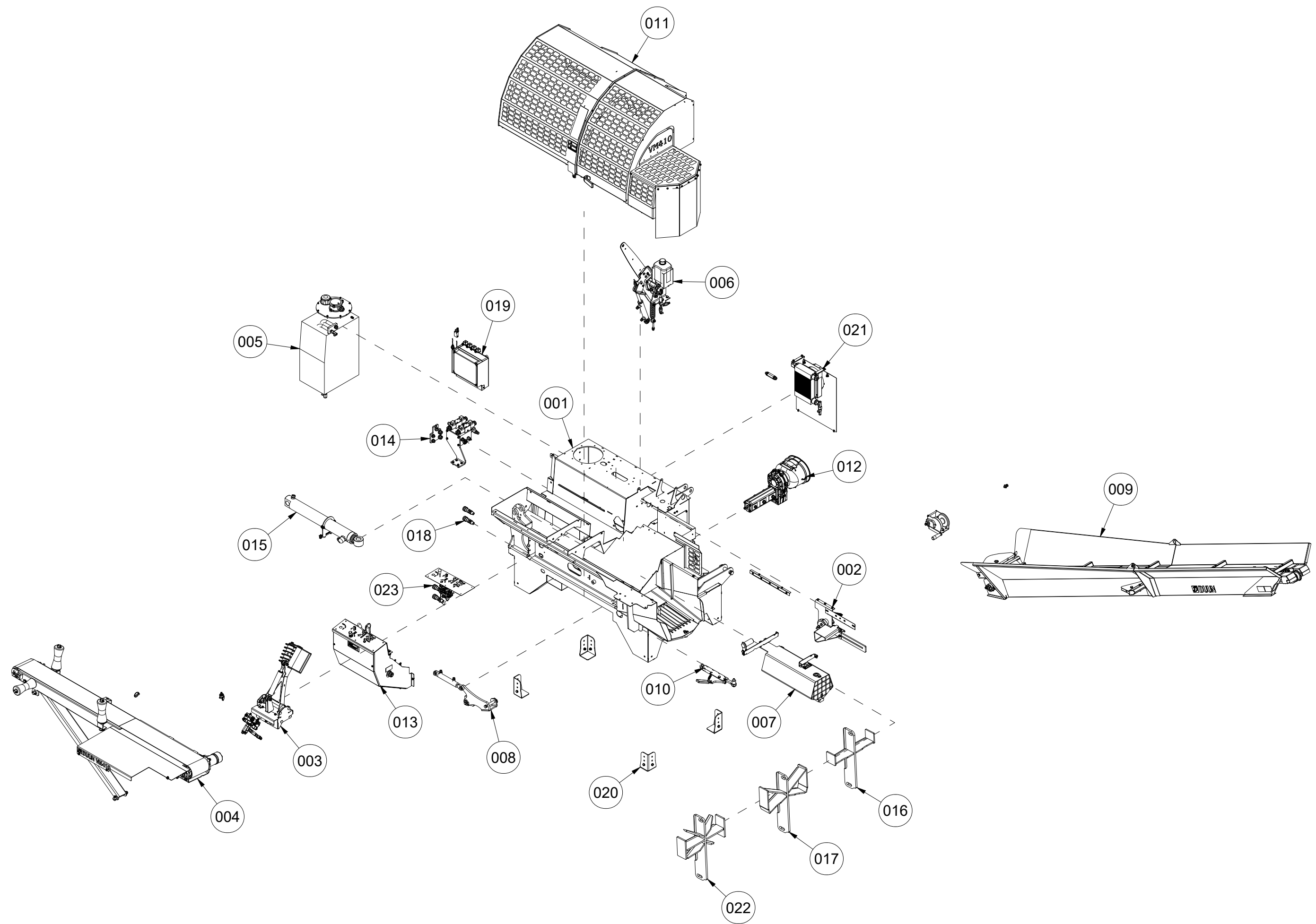


VM410

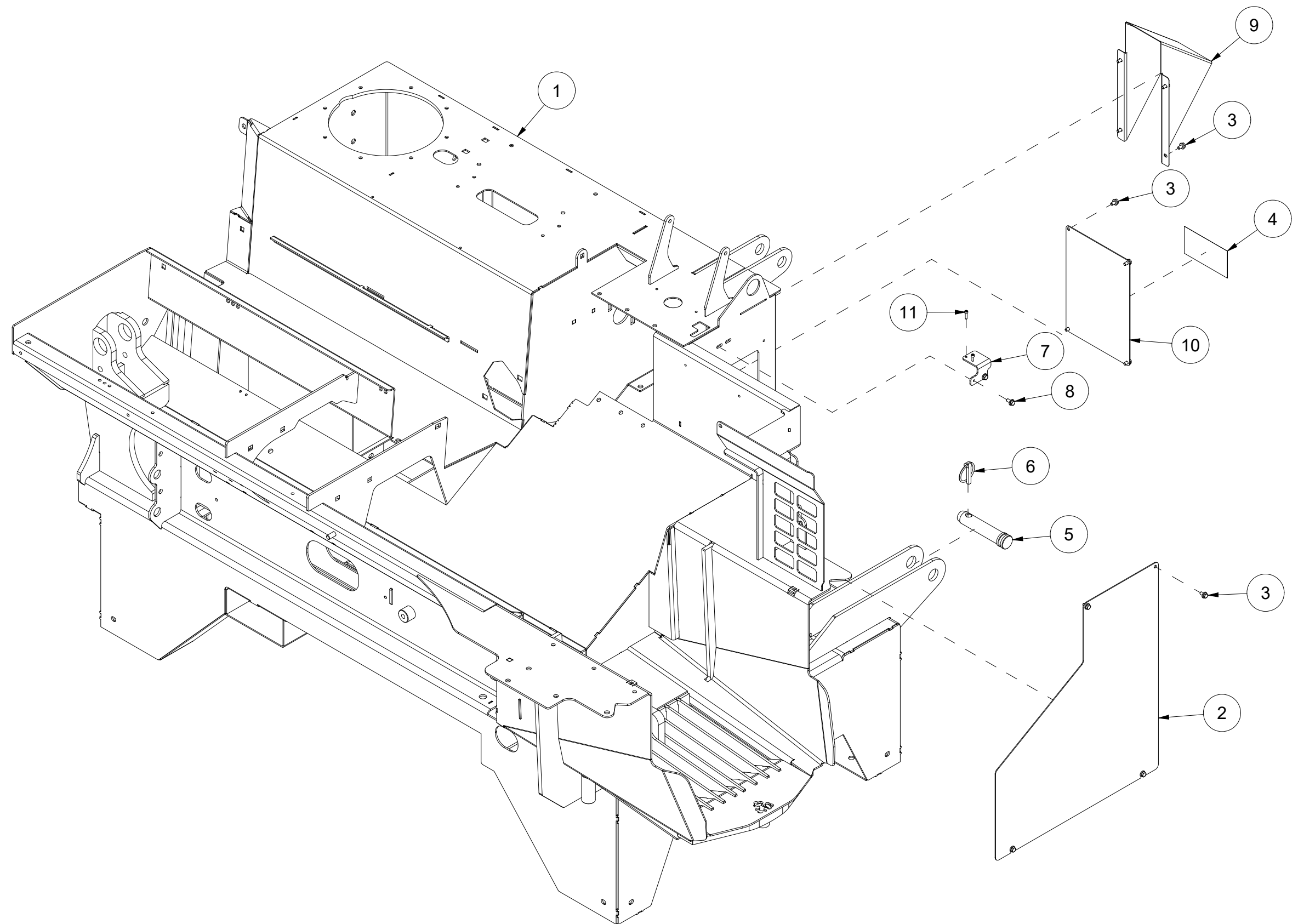
Spare parts catalogue

Duun Industrier as
7630 Åsen, Norway
www.duun.no



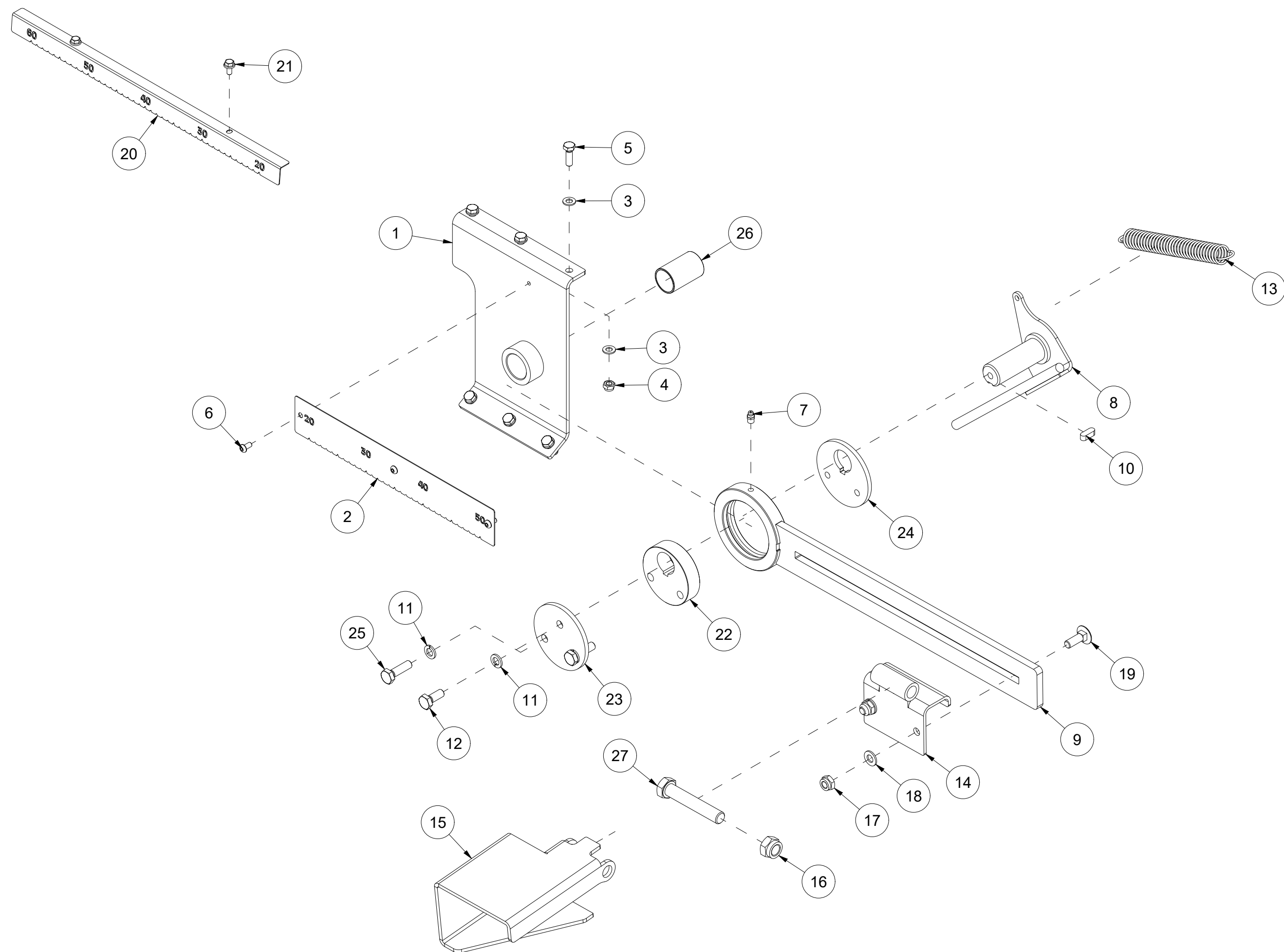


001 Chassis VM410



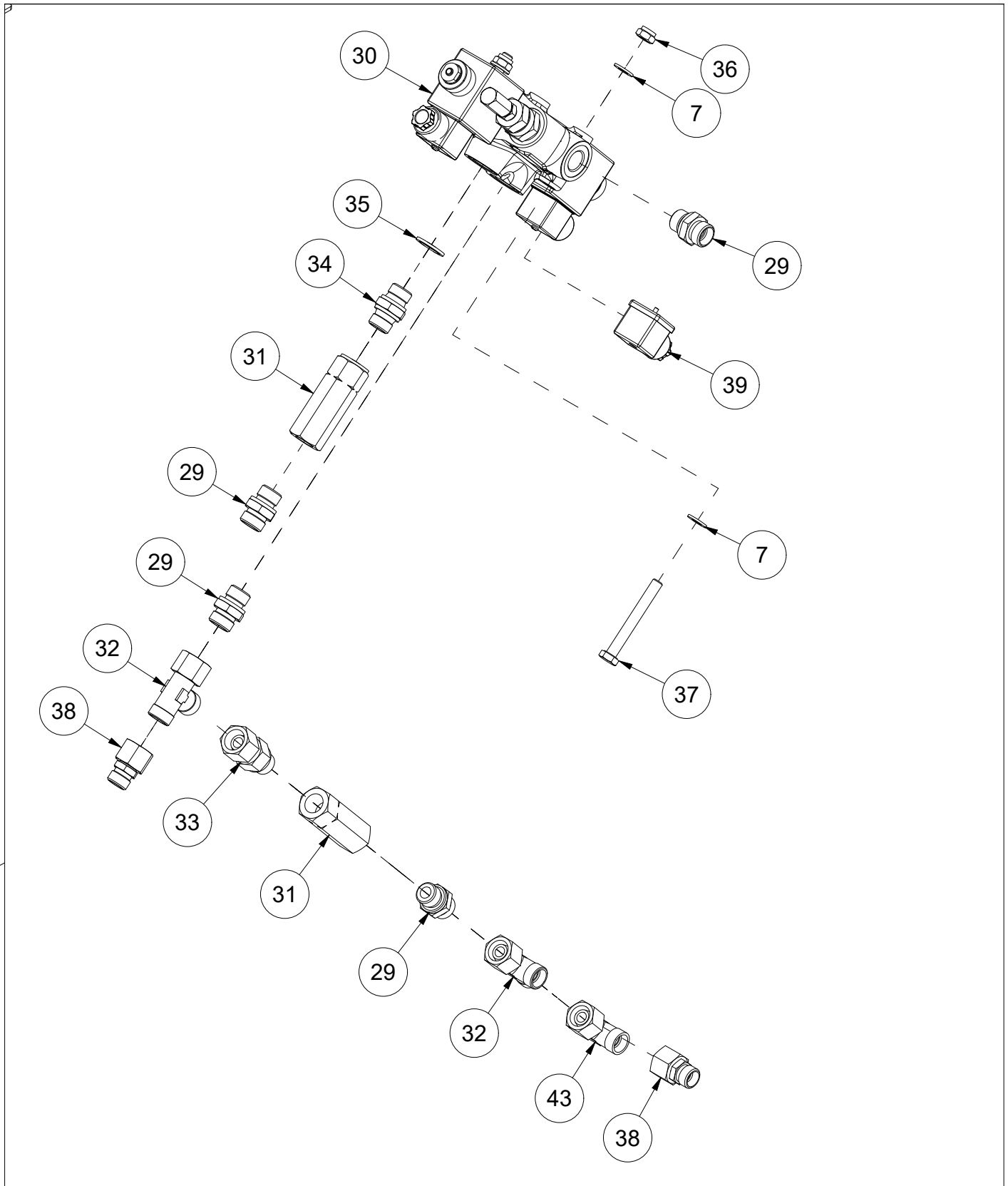
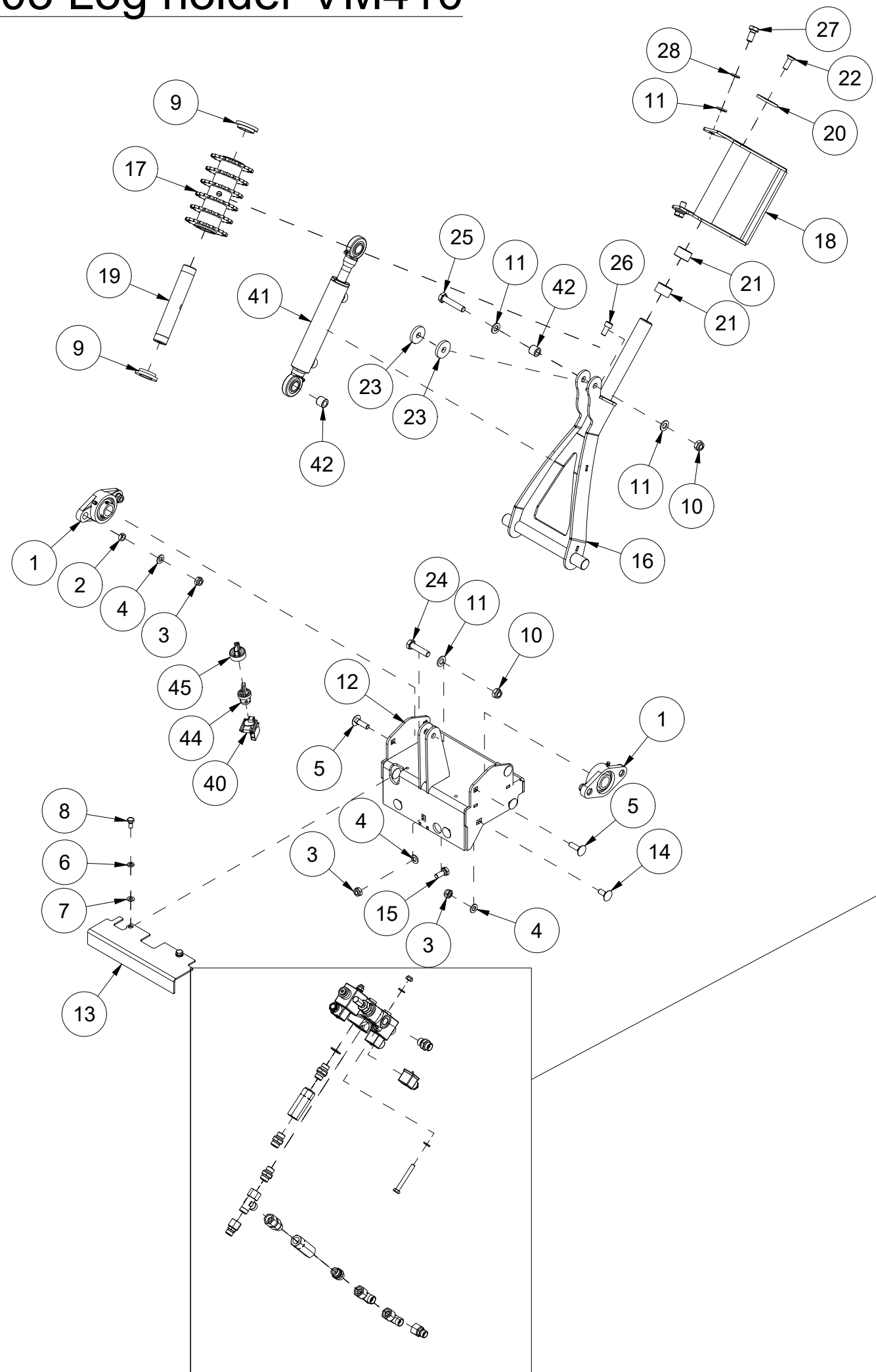
Pos	Qty	Article no	Designation
1	1	41331036	Chassis VM410 v2
2	1	41311105	Side cover
3	12	2451196	Hexagon screw with flange M6x10 EIZn 8.8 DIN 6921
4	1	2935131	Adhesive label 132x72 400 rpm
5	2	2551730	Drawbar bolt cat. 2 Ø28x95
6	2	2556142	Linch pin Ø10x40
7	1	41311202	Safety switch bracket
8	2	2451197	Hexagon screw with flange M6x12 EIZn 8.8 DIN6921
9	1	41311121	Funnel
10	1	41311181	Cover
11	2	2477135	Unbrako socket head screw M4x16 EIZn DIN 912

002 Log stopper VM410



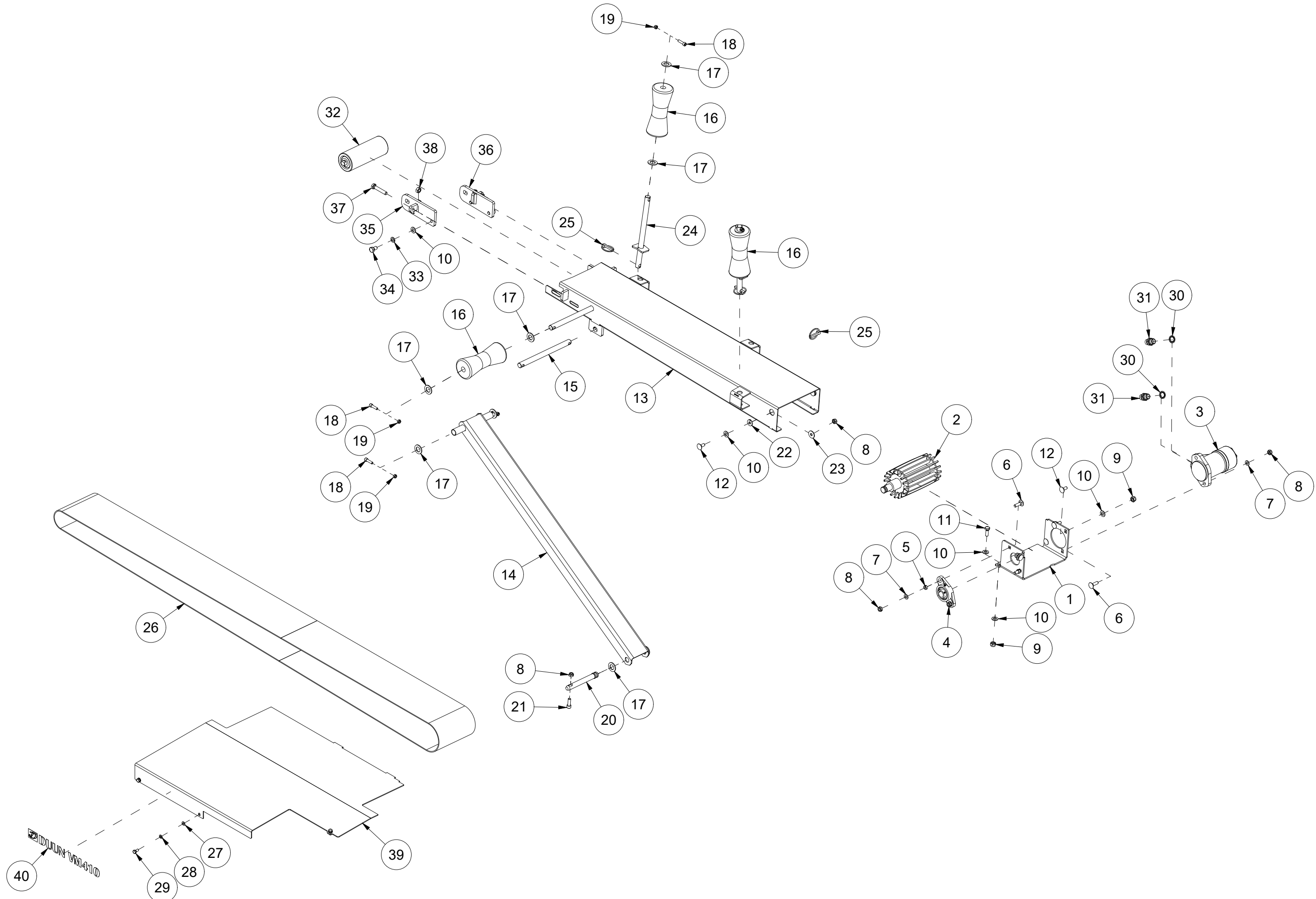
Pos	Qty	Article no	Designation
1	1	41311148	Bracket
2	1	41311144	Length indicator
3	12	2531047	Washer M8 EIZn DIN 125
4	6	2483609	Locking nut M8 EIZn DIN 985
5	6	2422246	Hexagon screw M8x25 EIZn 8.8 DIN 933
6	3	2476197	Unbrako round head screw M6x12 EIZn ISO 7380
7	1	2478407	Grease nipple, straight M8
8	1	41311027	Log stopper shaft
9	1	41311010	Log stopper holder
10	1	2115126	Cotter 8x7 L22 St DIN 6885A
11	3	2534060	Spring washer M10 EIZn DIN 127
12	1	2422297	Hexagon screw M10x25 EIZn 8.8 DIN 933
13	1	2913030	Extension spring Dt2,5 Dy25 L100 St
14	1	41311140	Bracket
15	1	41311141	Log stopper plate
16	1	2483613	Locking nut M16 EIZn DIN 985
17	2	2483610	Locking nut M10 EIZn DIN 985
18	2	2531060	Washer M10 EIZn DIN 125
19	2	2344331	Locking screw M10x30 EIZn 8.8 DIN 603
20	1	41311120	Length indicator
21	2	2451197	Hexagon screw with flange M6x12 EIZn 8.8 DIN6921
22	1	41311166	Eccentric
23	1	41311167	Steering plate
24	1	41311168	Steering plate
25	2	2422301	Hexagon screw M10x35 EIZn 8.8 DIN 933
26	1	2245230	Plastic bearing 30x34x52
27	1	2422501	Hexagon screw M16x90 EIZn 8.8 DIN 931

003 Log holder VM410



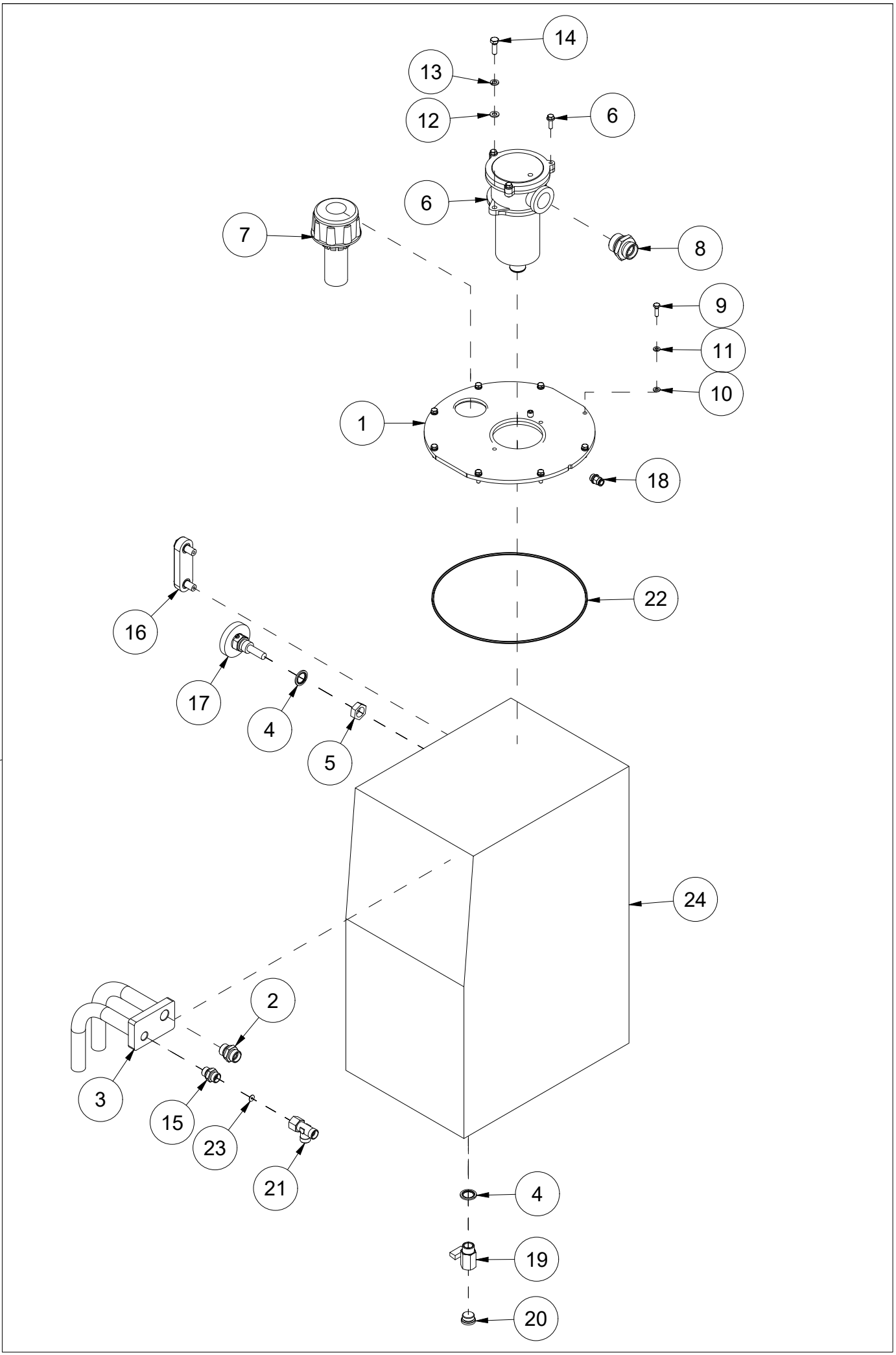
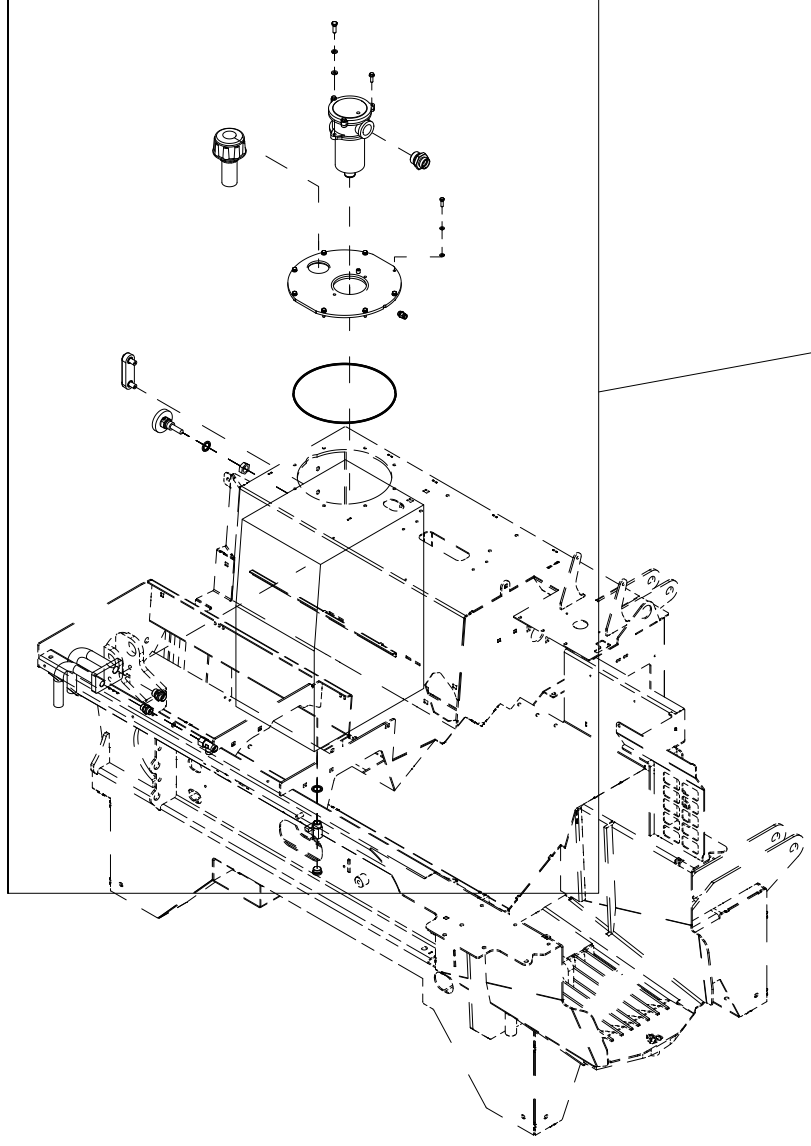
Pos	Qty	Article no	Designation
1	2	2954169	Flange bearing UCFL 205 25mm
2	4	41111067	Bushing
3	12	2483610	Locking nut M10 EIZn DIN 985
4	11	2531060	Washer M10 EIZn DIN 125
5	4	2344332	Locking screw M10x35 EIZn 8.8 DIN 603
6	2	2534047	Spring washer M8 EIZn DIN 127
7	6	2531047	Washer M8 EIZn DIN 125
8	2	2422240	Hexagon screw M8x16 EIZn 8.8 DIN 933
9	2	41201168	Plastic bearing Ø30/50x12
10	2	2483611	Locking nut M12 EIZn DIN 985
11	6	2531069	Washer M12 EIZn DIN 125
12	1	41331020	Bracket
13	1	41331025	Cover
14	6	2344330	Locking screw M10x25 EIZn 8.8 DIN 603
15	1	2422297	Hexagon screw M10x25 EIZn 8.8 DIN 933
16	1	41331021	Log holder arm
17	1	41331028	Log holder roll
18	1	41331027	Log holder
19	1	41331026	Bolt
20	1	41211150	Washer 12,5/50x6
21	2	2245228	Plastic bearing Ø30/34x20
22	1	2472299	Unbrako socket head screw M10x30 EIZn DIN 7991
23	2		Washer Ø12,5/40x6
24	1	2422356	Hexagon screw M12x50 EIZn 8.8 DIN 931
25	1	2422359	Hexagon screw M12x60 EIZn 8.8 DIN 931
26	1	2477295	Unbrako socket head screw M10x20 EIZn DIN 912
27	2	2422346	Hexagon screw M12x25 EIZn 8.8 DIN 933
28	2	2534069	Spring washer M12 EIZn DIN 127
29	5	2957749	Hexagon nipple GEK BSP 3/8" L12 ED
30	1	2955312	Directional valve 3/8"
31	2	2955331	Non-return valve 3/8" 0,5Bar
32	2	2957723	T-Hexagon nipple EVLK 12L
33	1	2957748	Swivel nipple EVGE 12L BSP 3/8" ED
34	1	2957760	Hexagon nipple BSP 3/8" - 3/8"
35	2	2957890	Hydraulic gasket 3/8"
36	2	2483609	Locking nut M8 EIZn DIN 985
37	2	2422260	Hexagon screw M8x65 EIZn 8.8 DIN 931
38	2	2957511	Transition L12-L10
39	2	4311093	Valve cover with LED
40	1	4311042	Body element
41	1	2955015	Cylinder Ø32/20 SL125
42	2	41211239	Sleeve
43	1	2957722	T-Hexagon nipple EVTK 12L
44	1	4311043	ZB4BD2 Schneider Turning head 2 fixed pos.
45	1	4311044	Schneider ZBDD2 Protective cover

004 Feed table VM410

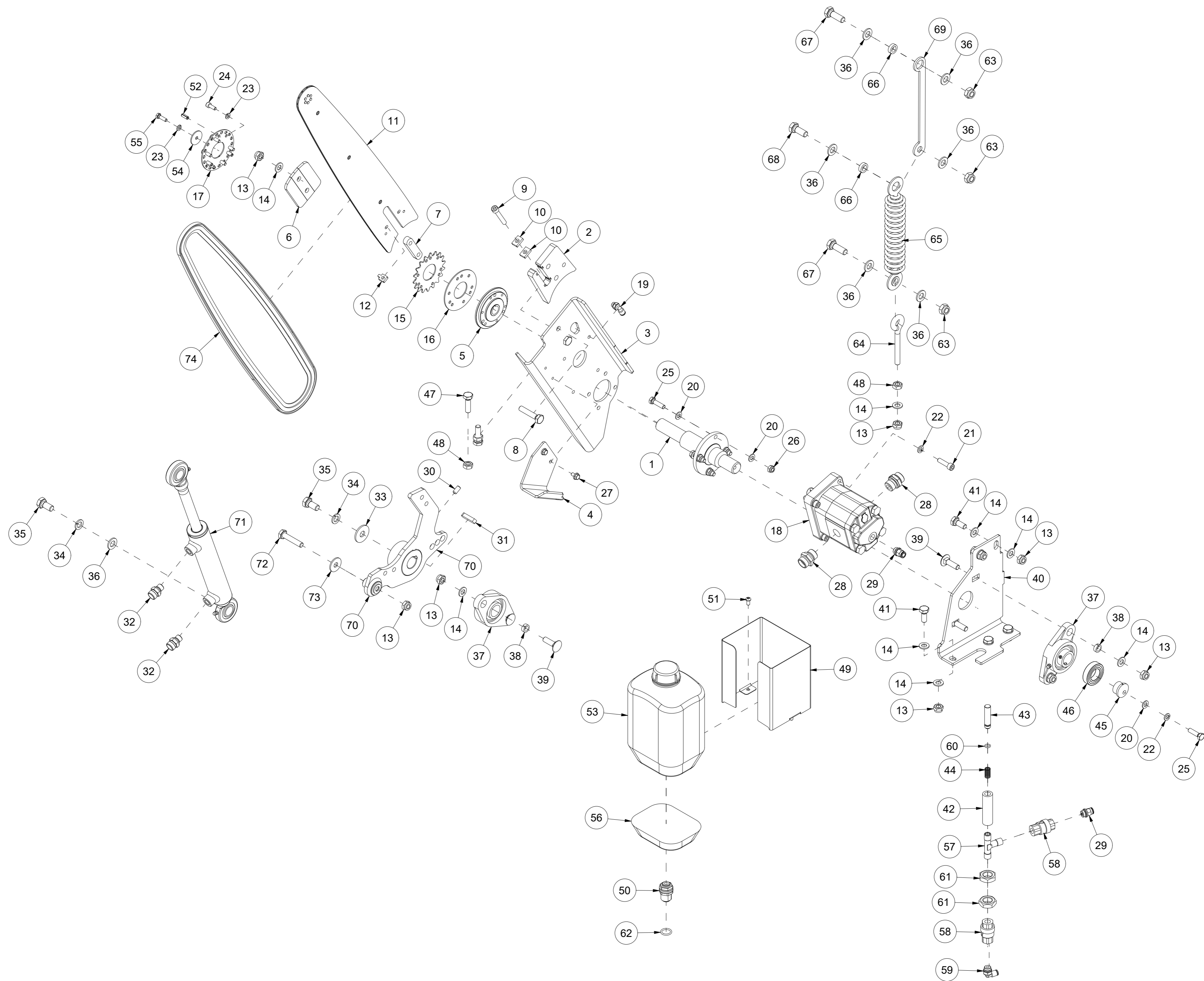


Pos	Qty	Article no	Designation
1	1	41311031	Bracket
2	1	41311045	Driving wheel
3	1	2955513	Hydraulic engine 315 ccm
4	1	2954169	Flange bearing UCFL 205 25mm
5	2	41111067	Bushing
6	4	2344332	Locking screw M10x35 EIZn 8.8 DIN 603
7	4	2531060	Washer M10 EIZn DIN 125
8	7	2483610	Locking nut M10 EIZn DIN 985
9	4	2483611	Locking nut M12 EIZn DIN 985
10	11	2531069	Washer M12 EIZn DIN 125
11	1	2422299	Hexagon screw M10x30 EIZn 8.8 DIN 933
12	5	2344330	Locking screw M10x25 EIZn 8.8 DIN 603
13	1	41311211	Feed table
14	1	41311044	Duct
15	1	41311082	Shaft
16	3	2245031	Support roller Ø60/84xL200
17	10	2531086	Washer M20 EIZn DIN 125
18	5	2477248	Unbrako socket head screw M8x30 EIZn DIN 912
19	5	2483609	Locking nut M8 EIZn DIN 985
20	1	2526323	Top strut bolt cat. 1 Ø19x121
21	1	2475299	Unbrako socket head screw M10x30 A4 DIN 912
22	2	41151031	Bearing washer
23	2	2533060	Body washer M10 EIZn DIN 9021
24	2	41201088	Roll holder
25	3	2556142	Linch pin Ø10x40
26	1	2222118	Band grip top B190 L4322
27	3	2531047	Washer M8 EIZn DIN 125
28	3	2534047	Spring washer M8 EIZn DIN 127
29	3	2422240	Hexagon screw M8x16 EIZn 8.8 DIN 933
30	2	2957861	Hydraulic gasket 1/2"
31	2	2957765	Hexagon nipple BSP 1/2" - 1/2"
32	1	2954326	Roll with bearings Ø76x200
33	4	2534069	Spring washer M12 EIZn DIN 127
34	4	2422344	Hexagon screw M12x20 EIZn 8.8 DIN 933
35	1	41321142	Bracket
36	1	41321143	Right bracket
37	2	2425360	Hexagon screw M12x65 EIZn 8.8 DIN 933
38	2	2481611	Hexagon nut M12 EIZn DIN 934
39	1	41331022	Machine table
40	1	2935190	Adhesive label VM410

005 Hydraulic tank VM410

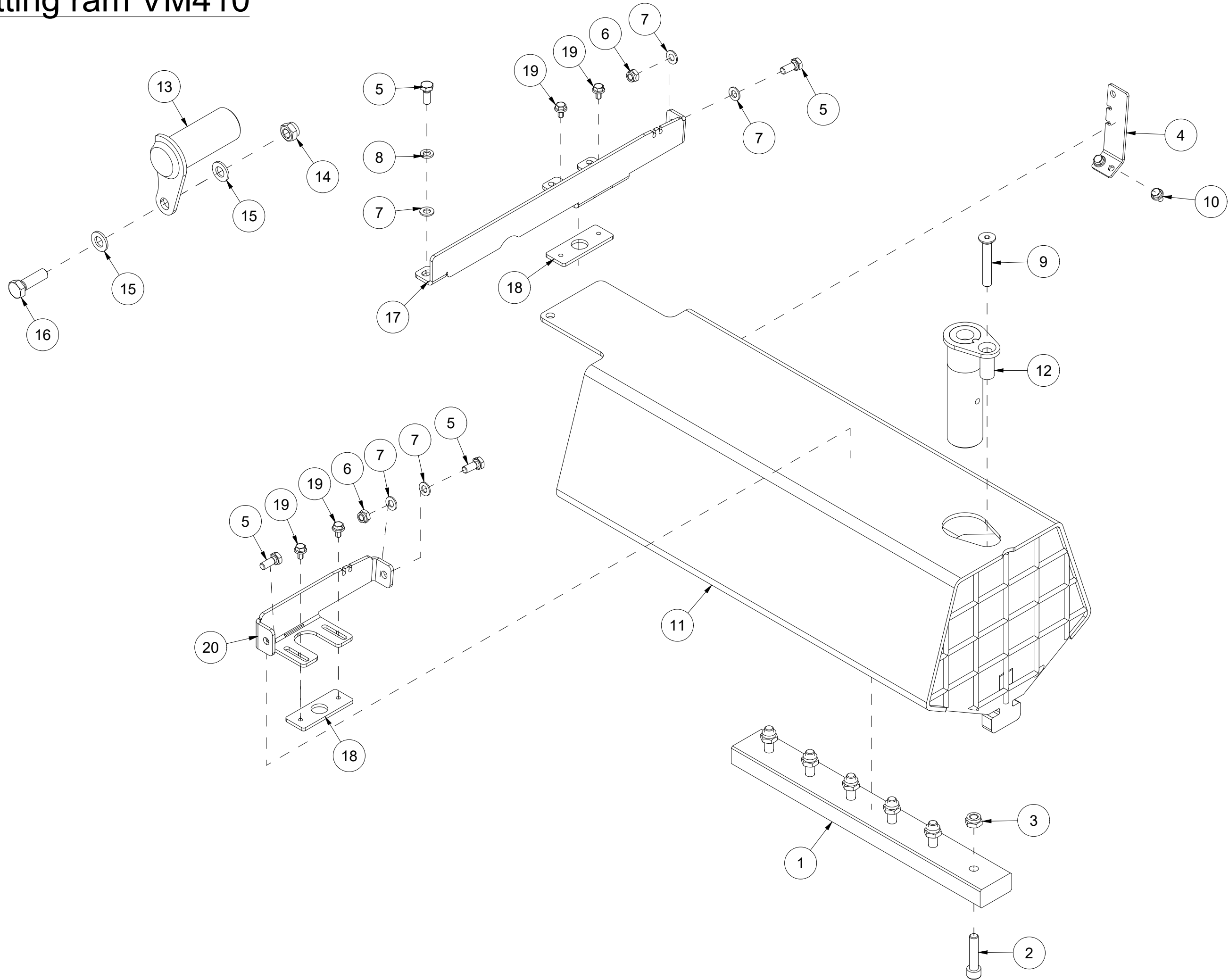


Pos	Qty	Article no	Designation
1	1	41311081	
2	1	2957768	Hexagon nipple GEK BSP 1/2" L15 ED
3	1	41311074	Return pipe
4	2	2957861	Hydraulic gasket 1/2"
5	1	2482209	Nut 6kt.1/2" BSP flat galv.
6	1	2251064	Return filter
7	1	2931018	Filling cap
8	1	2957781	Hexagon nipple GEK BSP 1" L22 ED
9	8	2422205	Hexagon screw M6x20 EIZn 8.8 DIN 933
10	8	2531039	Washer M6 EIZn DIN 125
11	8	2534039	Spring washer M6 EIZn DIN 127
12	2	2531047	Washer M8 EIZn DIN 125
13	2	2534047	Spring washer M8 EIZn DIN 127
14	2	2422246	Hexagon screw M8x25 EIZn 8.8 DIN 933
15	1	2957749	Hexagon nipple GEK BSP 3/8" L12 ED
16	1	2957821	Sight glass M12 L-76mm
17	1	2957825	Thermometer
18	1	2957818	Flash fitting 8mm 1/4" straight
19	1	2957601	Ball valve mini 1/2" in/out threads
20	1	2957421	Plug 1/2" w/Gasket brass. chrome
21	1	2957723	T-Hexagon nipple EVLK 12L
22	1	2233266	X Ring 266,29x3,53
23	1	41311176	Nozzle Ø3,2/12x1
24	1	41311004	Hydraulic oil



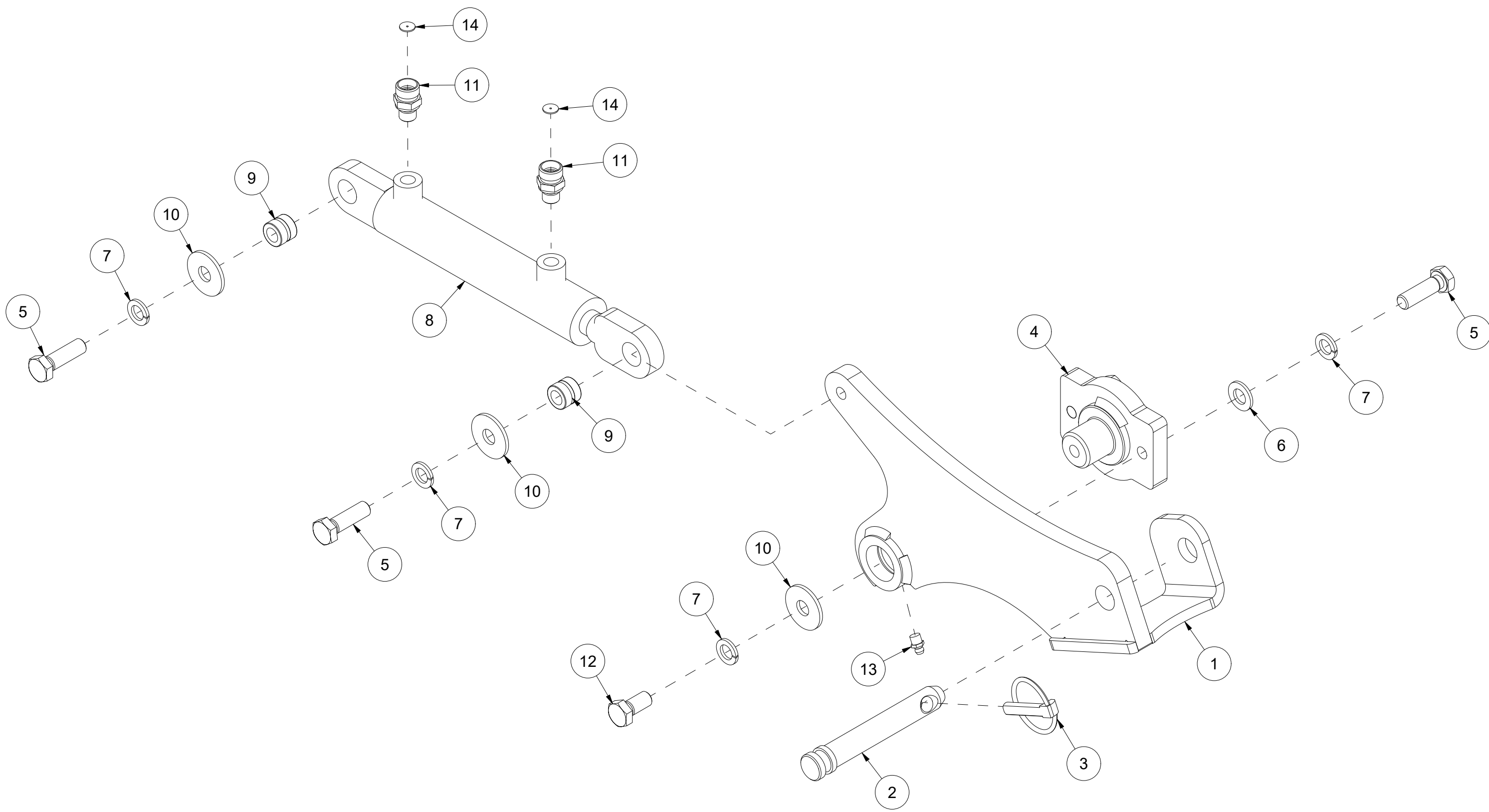
Pos	Qty	Article no	Designation	Pos	Qty	Article no	Designation
1	1	41311033	Shaft saw movement	57	1	2957500	Pipe connection T-piece BSP 1/4" ext.
2	1	41311015	Fixing block sword	58	2	2955330	Non-return valve 1/4"
3	1	41311024	Sword bracket	59	1	2957815	Flash fitting 6mm 1/4" 90gr
4	1	41311025	Sliding plate log stopper	60	1	2233008	O-ring 8,00x2,00 NBR 70
5	1	41311156	Drive wheel saw chain	61	2	2482615	Hexagon nut M20x1,5 EIZn DIN 936
6	1	41121036	Damping plate	62	1	2233018	O-ring 17,13x2,62 NBR 70
7	1	41301095	Wedge	63	3	2483611	Locking nut M12 EIZn DIN 985
8	2	2425307	Hexagon screw M10x50 EIZn 8.8 DIN 933	64	1	2478314	Eye bolt M10x80
9	1	2477256	Unbrako socket head screw M8x50 EIZn DIN 912	65	1	2913041	Extension spring Dt5,38 Dy41 L240 A2
10	2	41201205	Plate 13,5x20 Ø8,25	66	3	41311076	Washer Ø12,2/20x6
11	1	41331004	Saw bar 0,325" L563 with nose wheel	67	2	2422350	Hexagon screw M12x35 EIZn 8.8 DIN 933
12	1	41201206	Tensioning tap	68	1	2422348	Hexagon screw M12x30 EIZn 8.8 DIN 933
13	13	2483610	Locking nut M10 EIZn DIN 985	69	1	41331005	Extender
14	18	2531060	Washer M10 EIZn DIN 125	70	1	41211241	Saw arm
15	1	41301003	Middle drive sprocket	71	1	2955015	Cylinder Ø32/20 SL125
16	1	41301001	Inner drive sprocket	72	1	2422307	Hexagon screw M10x50 EIZn 8.8 DIN 931
17	1	41301002	Outer drive sprocket	73	1	2533060	Body washer M10 EIZn DIN 9021
18	1	2955564	Cog wheel motor GR2 8 ccm	74	1	2963134	Saw chain 85 links 0.325" division
19	1	2957814	Flash fitting 6mm 1/8" 90gr				
20	9	2531047	Washer M8 EIZn DIN 125				
21	4	2477248	Unbrako socket head screw M8x30 EIZn DIN 912				
22	5	2534047	Spring washer M8 EIZn DIN 127				
23	7	2534039	Spring washer M6 EIZn DIN 127				
24	6	2477200	Unbrako socket head screw M6x16 EIZn DIN 912				
25	5	2422248	Hexagon screw M8x30 EIZn 8.8 DIN 933				
26	4	2483609	Locking nut M8 EIZn DIN 985				
27	2	2451196	Hexagon screw with flange M6x10 EIZn 8.8 DIN 6921				
28	2	2957768	Hexagon nipple GEK BSP 1/2" L15 ED				
29	2	2957818	Flash fitting 8mm 1/4" straight				
30	1	2473239	Threaded pin M8x16 St DIN 916				
31	1	2115131	Cotter 8x7 L36 St DIN 6885A				
32	2	2957756	Hexagon nipple GEK BSP 1/4" L12 ED				
33	1	2533090	Body washer M12 EIZn DIN 9021				
34	2	2534069	Spring washer M12 EIZn DIN 127				
35	2	2422346	Hexagon screw M12x25 EIZn 8.8 DIN 933				
36	7	2531069	Washer M12 EIZn DIN 125				
37	2	2954169	Flange bearing UCFL 205 25mm				
38	4	41111067	Bushing				
39	4	2344332	Locking screw M10x35 EIZn 8.8 DIN 603				
40	1	41311034	Sword holder bracket				
41	5	2422297	Hexagon screw M10x25 EIZn 8.8 DIN 933				
42	1	41201132	Cylinder				
43	1	41201127	Piston				
44	1	2912068	Extension spring Dt1,0 Di9,0 L45 St				
45	1	41201190	Eccentric bushing				
46	1	2951124	Ball bearing 6005 2RS 25x47x12 DIN 625				
47	2	2422301	Hexagon screw M10x35 EIZn 8.8 DIN 933				
48	3	2481610	Hexagon nut M10 EIZn DIN 934				
49	1	41311084	Rack for chain oil tank				
50	1	2957811	Bulkhead bushing Ø8,0				
51	2	2476197	Unbrako round head screw M6x12 EIZn ISO 7380				
52	3	2525203	Tension sleeve 6x16 St DIN 1481				
53	1	41311085	2,5 l Plastic container				
54	1	41201047	Washer Ø6,5/30x2				
55	1	2422205	Hexagon screw M6x20 EIZn 8.8 DIN 933				
56	1	41311002	Saw chain oil				

007 Splitting ram VM410



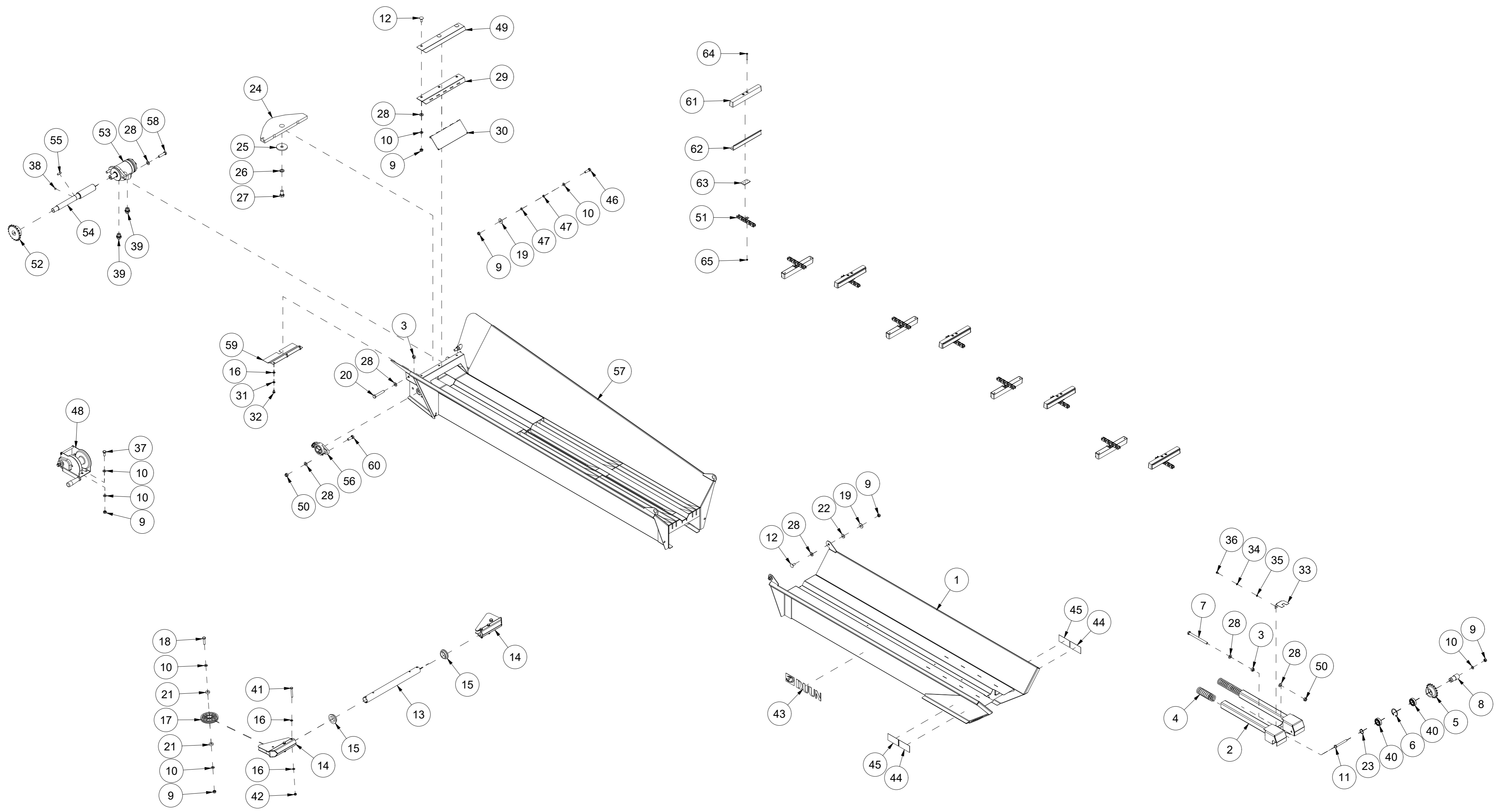
Pos	Qty	Article no	Designation
1	1	41311042	Slide
2	6	2471305	Unbrako socket head screw M10x45 St 12.9 DIN 912
3	6	2483610	Locking nut M10 EIZn DIN 985
4	1	41311157	Bracket
5	4	2422244	Hexagon screw M8x20 EIZn 8.8 DIN 933
6	2	2483609	Locking nut M8 EIZn DIN 985
7	6	2531047	Washer M8 EIZn DIN 125
8	2	2534047	Spring washer M8 EIZn DIN 127
9	1	2472311	Unbrako socket head screw M10x65 St 10.9 DIN 7991
10	2	2451196	Hexagon screw with flange M6x10 EIZn 8.8 DIN 6921
11	1	41331002	Splitting ram
12	1	41201208	Bolt
13	1	41331003	Bolt
14	1	2483611	Locking nut M12 EIZn DIN 985
15	2	2531069	Washer M12 EIZn DIN 125
16	1	2422352	Hexagon screw M12x40 EIZn 8.8 DIN 933
17	1	41331019	Left side bracket sensor
18	2	41331017	Sensor plate
19	4	2465196	Hexagon screw Taptite with flange M6x10 EIZn 8.8
20	1	41331024	Right side bracket sensor

008 Hydraulic knife lift VM410



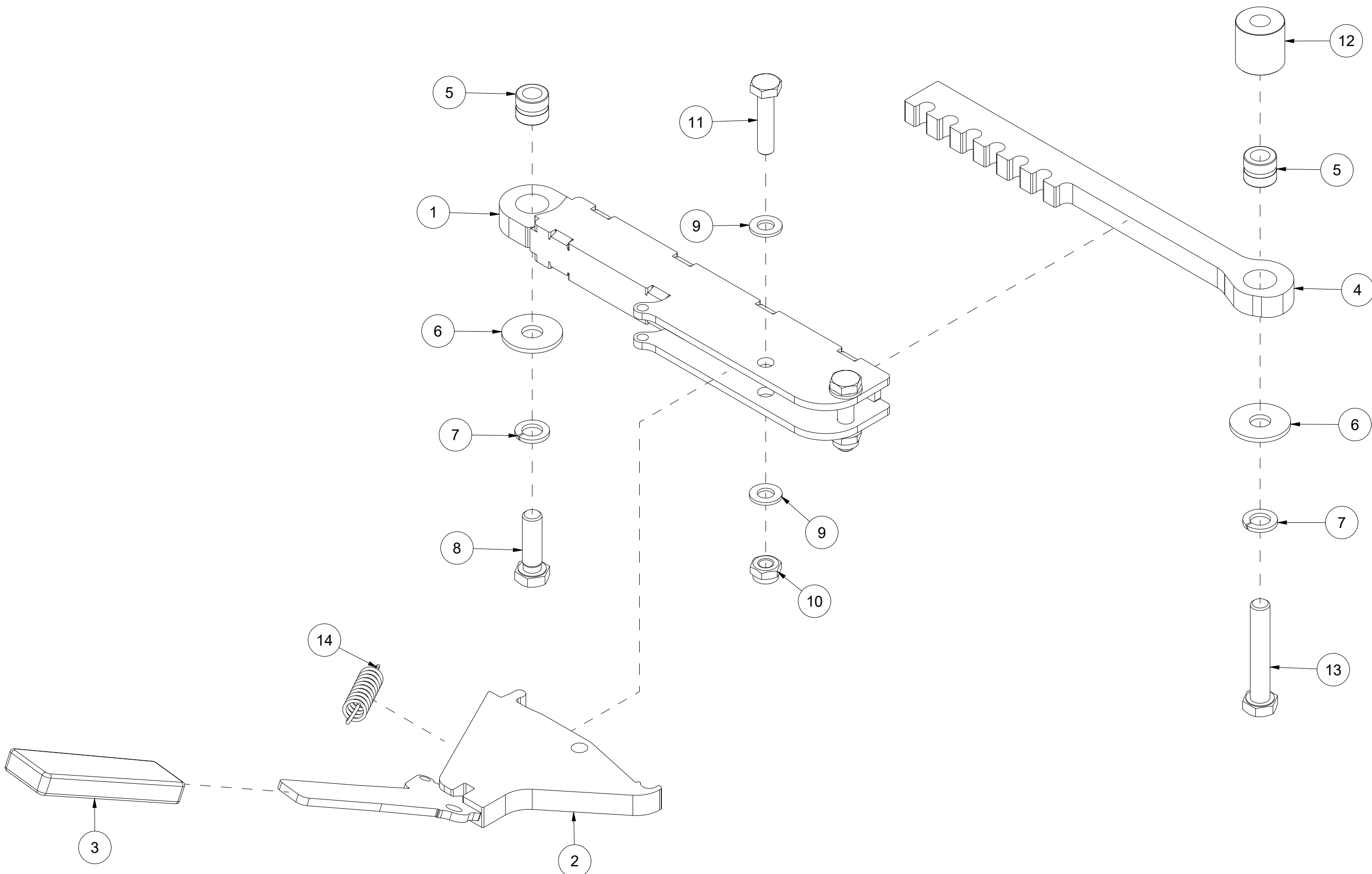
Pos	Qty	Article no	Designation
1	1	41311130	Lifting arm
2	1	2526322	Top strut bolt cat. 1 Ø19x97
3	1	2556142	Linch pin Ø10x40
4	1	41311132	Fixing bracket
5	4	2422352	Hexagon screw M12x40 EIZn 8.8 DIN 933
6	2	2531069	Washer M12 EIZn DIN 125
7	5	2534069	Spring washer M12 EIZn DIN 127
8	1	2955362	Cylinder 32x20x125 H20H20
9	2	41301089	Sliding bearing
10	3	2533090	Body washer M12 EIZn DIN 9021
11	2	2957756	Hexagon nipple GEK BSP 1/4" L12 ED
12	1	2422346	Hexagon screw M12x25 EIZn 8.8 DIN 933
13	1	2478407	Grease nipple, straight M8
14	2	41311173	Nozzle ø1,5/12x1

009 Conveyor VM410



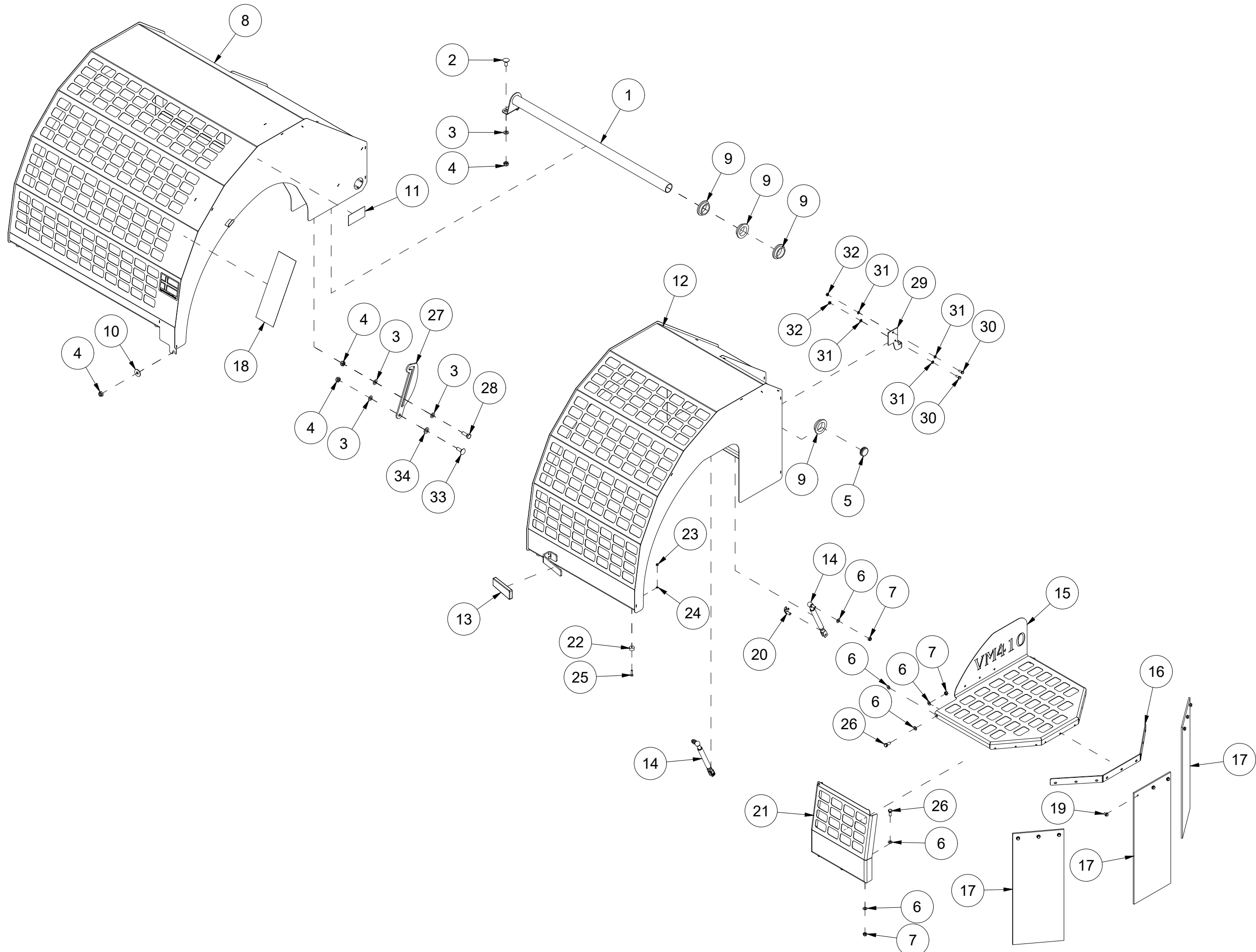
Pos	Qty	Article no	Designation	Pos	Qty	Article no	Designation
1	1	41201006	Conveyor belt, upper	57	1	41311206	Conveyor belt, lower
2	1	41201027	Chain tensioner	58	2	2426356	Hexagon screw M12x50 A4 DIN 931
3	3	2481611	Hexagon nut M12 EIZn DIN 934	59	1	41311208	Protective plate
4	2	2912085	Pressure spring Dt5,5 Di29 L200 St	60	2	2423350	Hexagon screw M12x35 EIZn 10.9 DIN 933
5	1	41121079	Chain wheel 5/8" Z17 Ø47,0	61	9	41121078	Carrier
6	1	2553247	Seeger ring I 47x2,0 DIN 472	62	9	41131090	Carrier plate
7	1	2422370	Hexagon screw M12x150 EIZn 8.8 DIN931	63	9	41131091	Nut plate
8	1	41201082	Shaft	64	18	2471177	Unbrako socket head screw M5x40 St 12.9 DIN 912
9	12	2483610	Locking nut M10 EIZn DIN 985	65	18	2483607	Locking nut M5 EIZn DIN 985
10	15	2531060	Washer M10 EIZn DIN 125				
11	1	2422315	Hexagon screw M10x90 EIZn 8.8 DIN 931				
12	5	2344330	Locking screw M10x25 EIZn 8.8 DIN 603				
13	1	41201033	Tube				
14	2	41201019	Pulley holder				
15	2	23311032	Plastic bearing Ø39/48x15				
16	11	2531047	Washer M8 EIZn DIN 125				
17	2	2245011	Pulley, plastic				
18	2	2422303	Hexagon screw M10x40 EIZn 8.8 DIN 931				
19	3	2533060	Body washer M10 EIZn DIN 9021				
20	2	2422362	Hexagon screw M12x75 EIZn 8.8 DIN 931				
21	4	41121084	Inlay in pulley				
22	2	41151031	Bearing washer				
23	1	2553125	Seeger ring A 25x1,2 DIN 471				
24	1	41301042	Rotating plate				
25	1	25131040	Washer Ø16/66x6				
26	1	2534078	Spring washer M16 EIZn DIN 127				
27	1	2422485	Hexagon screw M16x30 EIZn 8.8 DIN 933				
28	17	2531069	Washer M12 EIZn DIN 125				
29	1	41201238	Locking plate				
30	1	41201239	Carrier trapdoor				
31	3	2534047	Spring washer M8 EIZn DIN 127				
32	3	2422236	Hexagon screw M8x12 EIZn 8.8 DIN 933				
33	1	41201264	Protection plate				
34	2	2534039	Spring washer M6 EIZn DIN 127				
35	2	2531039	Washer M6 EIZn DIN 125				
36	2	2422196	Hexagon screw M6x10 EIZn 8.8 DIN 933				
37	3	2422297	Hexagon screw M10x25 EIZn 8.8 DIN 933				
38	1	2473236	Threaded pin M8x12 St DIN 914				
39	2	2957766	Hexagon nipple GEK BSP 1/2" L12 ED				
40	2	2951124	Ball bearing 6005 2RS 25x47x12 DIN 625				
41	4	2422259	Hexagon screw M8x60 EIZn 8.8 DIN 931				
42	4	2483609	Locking nut M8 EIZn DIN 985				
43	1	2935071	Adhesive label Duun H60				
44	2	2935034	Adhesive label 90x48 Hanging ribbon				
45	2	2935088	Adhesive label 90x48 Hand pinching hazard				
46	1	2422301	Hexagon screw M10x35 EIZn 8.8 DIN 933				
47	2	41201187	Washer				
48	1	2966105	Winch 500 kg with brake and wire				
49	1	41201308	Cover plate				
50	5	2483611	Locking nut M12 EIZn DIN 985				
51	1	2963105	Roller chain 5/8"Sim 504 link galv.				
52	1	41401029	Sprocket 19t 5/8"with set screw m8				
53	1	2955508	Hydraulic engine 50 ccm				
54	1	41311207	Drive shaft				
55	1	41311209	Wedge with hole L30				
56	1	2954169	Flange bearing UCFL 205 25mm				

010 Sideways conveyor belt VM410



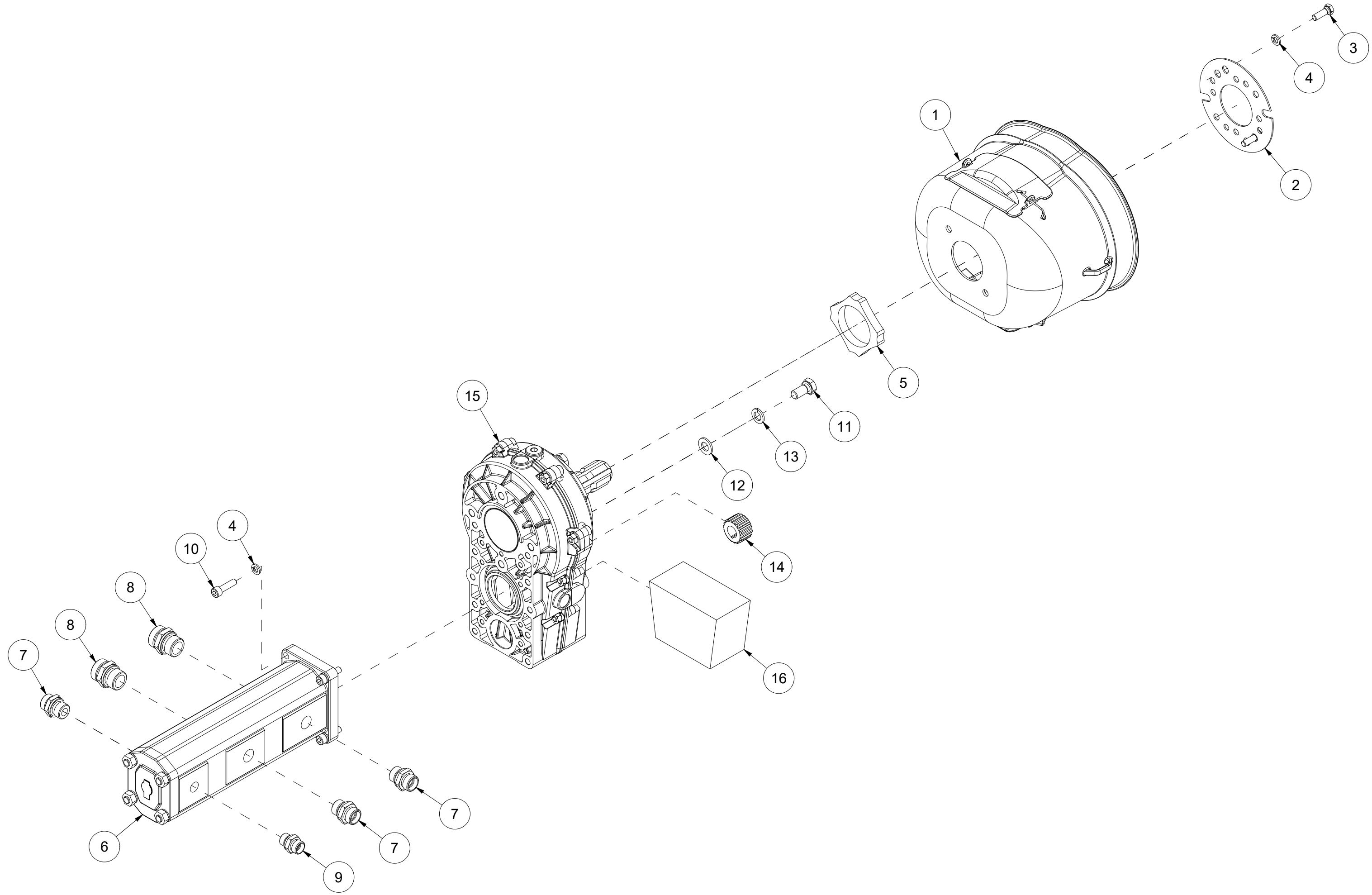
Pos	Qty	Article no	Designation
1	1	41201058	Adjustment mechanism
2	1	41201056	Locking lever
3	1	2245062	Plastic handle
4	1	41201054	Adjustment rod
5	2	41301089	Sliding bearing
6	2	2533090	Body washer M12 EIZn DIN 9021
7	2	2534069	Spring washer M12 EIZn DIN 127
8	1	2422352	Hexagon screw M12x40 EIZn 8.8 DIN 933
9	4	2531060	Washer M10 EIZn DIN 125
10	2	2483610	Locking nut M10 EIZn DIN 985
11	2	2422305	Hexagon screw M10x45 EIZn 8.8 DIN 931
12	1	41311107	Sleeve
13	1	2422361	Hexagon screw M12x70 EIZn 8.8 DIN 931
14	1	41201374	Extension spring Dt2,0 Dy15 L70 St Rød

011 Cover VM410



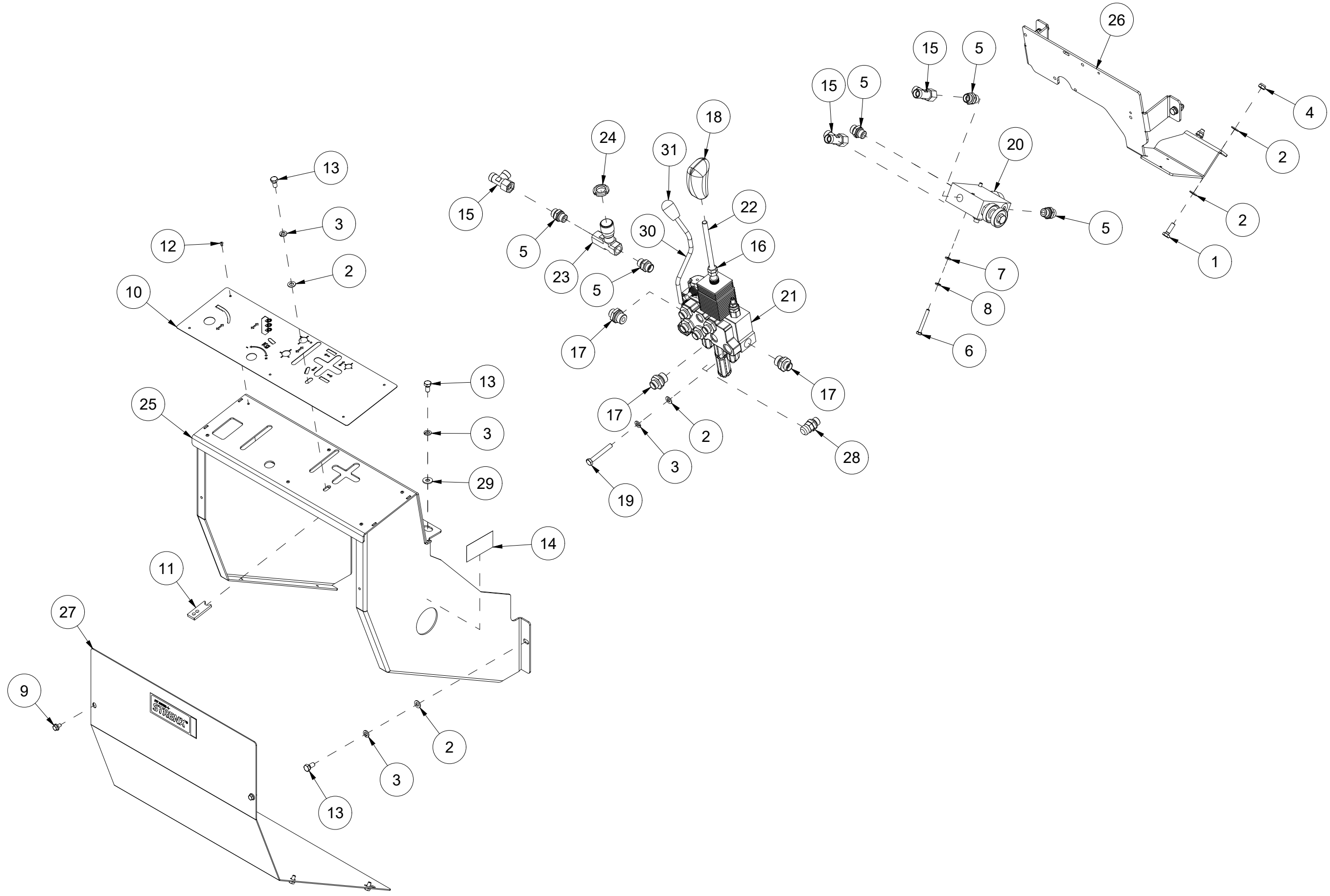
Pos	Qty	Article no	Designation
1	1	41311080	Bearing cover
2	2	2344330	Locking screw M10x25 EIZn 8.8 DIN 603
3	5	2531060	Washer M10 EIZn DIN 125
4	5	2483610	Locking nut M10 EIZn DIN 985
5	2	2245069	End plug 35 int.
6	14	2531047	Washer M8 EIZn DIN 125
7	7	2483609	Locking nut M8 EIZn DIN 985
8	1	41331007	Cover 1
9	4	23311032	Plastic bearing Ø39/48x15
10	1	2533060	Body washer M10 EIZn DIN 9021
11	1	2935088	Adhesive label 90x48 Hand pinching hazard
12	1	41331006	Cover 2
13	1	2245062	Plastic handle
14	2	2915112	Gas spring L265 SL80 400N Ball M8 - Fork Ø8
15	1	41331010	Cover 3
16	1	41311112	Clamp plate
17	3	41311086	Curtain 200x525
18	1	2935172	Firewood processor 95x290mm 400RPM
19	9	2451196	Hexagon screw with flange M6x10 EIZn 8.8 DIN 6921
20	2	2915150	Bolt to the fork head M8
21	1	41331035	Cover 4
22	4	2225109	Rubber plug ø 20,0mm H-12mm
23	4	2483607	Locking nut M5 EIZn DIN 985
24	4	2531029	Washer M5 EIZn DIN 125
25	4	2477169	Unbrako socket head screw M5x20 EIZn DIN 912
26	5	2422244	Hexagon screw M8x20 EIZn 8.8 DIN 933
27	1	41211082	Stopper
28	1	2422299	Hexagon screw M10x30 EIZn 8.8 DIN 933
29	1	41331008	Safety switch strut
30	2	2422200	Hexagon screw M6x16 EIZn 8.8 DIN 933
31	4	2531039	Washer M6 EIZn DIN 125
32	2	2483608	Locking nut M6 EIZn DIN 985
33	1	2344331	Locking screw M10x30 EIZn 8.8 DIN 603
34	1	2531069	Washer M12 EIZn DIN 125

012 Gearbox VM410



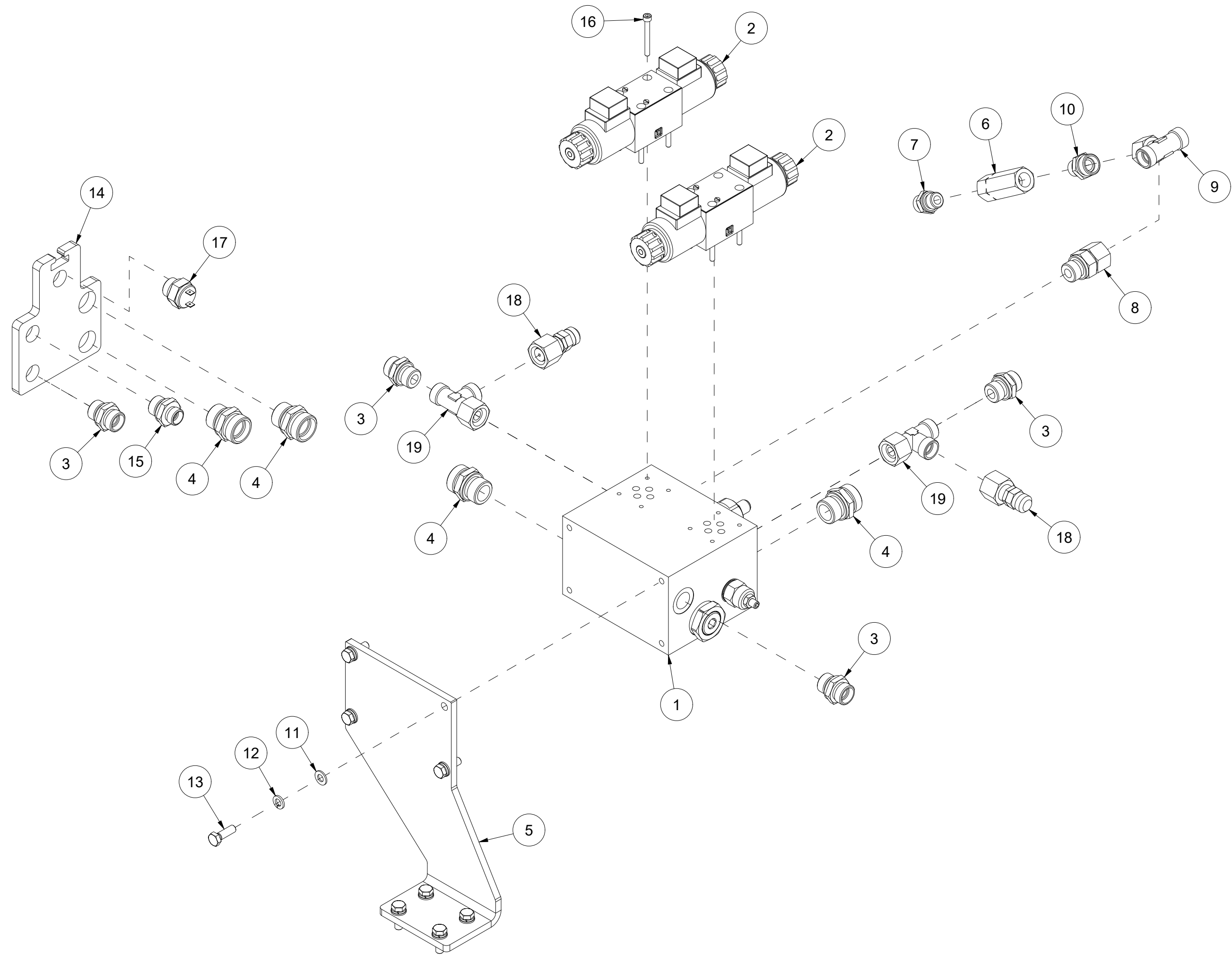
Pos	Qty	Article no	Designation
1	1	41201267	Protective funnel
2	1	31231079	Fixing plate for protective funnel
3	2	2422246	Hexagon screw M8x25 EIZn 8.8 DIN 933
4	6	2534047	Spring washer M8 EIZn DIN 127
5	1	41201266	Protective plate
6	1	2955558	Cog wheel pump trip. 23+18+08
7	3	2957768	Hexagon nipple GEK BSP 1/2" L15 ED
8	2	2957773	Hexagon nipple GEK BSP 3/4" L22 ED
9	1	2957749	Hexagon nipple GEK BSP 3/8" L12 ED
10	4	2477248	Unbrako socket head screw M8x30 EIZn DIN 912
11	4	2422346	Hexagon screw M12x25 EIZn 8.8 DIN 933
12	4	2531069	Washer M12 EIZn DIN 125
13	4	2534069	Spring washer M12 EIZn DIN 127
14	1	2961200	Spline for gearbox ML52
15	1	2961007	Gearbox 1:3,8 90' MP21
16	1	41311196	Gear oil

013 Operation console VM410



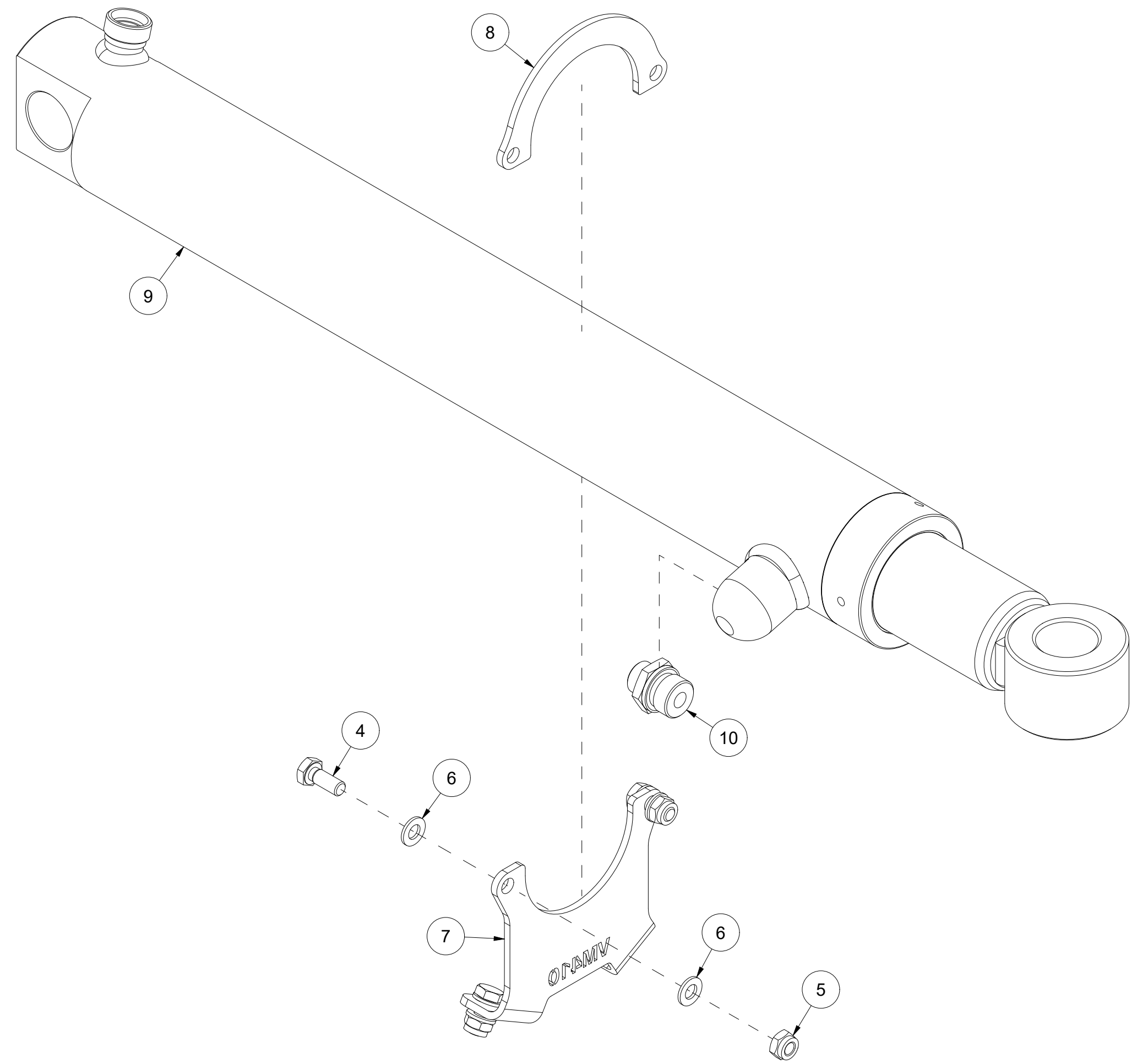
Pos	Qty	Article no	Designation
1	4	2422246	Hexagon screw M8x25 EIZn 8.8 DIN 933
2	13	2531047	Washer M8 EIZn DIN 125
3	9	2534047	Spring washer M8 EIZn DIN 127
4	4	2483609	Locking nut M8 EIZn DIN 985
5	5	2957749	Hexagon nipple GEK BSP 3/8" L12 ED
6	2	2422217	Hexagon screw M6x50 EIZn 8.8 DIN 931
7	2	2531039	Washer M6 EIZn DIN 125
8	2	2534039	Spring washer M6 EIZn DIN 127
9	6	2451196	Hexagon screw with flange M6x10 EIZn 8.8 DIN 6921
10	1	41331012	Symbol plate with knife lift
11	1	41311151	Stop plate
12	6	2511372	Pop rivet
13	5	2422240	Hexagon screw M8x16 EIZn 8.8 DIN 933
14	1	2935036	Adhesive label 75x40 Conveyor speed
15	3	2957723	T-Hexagon nipple EVLK 12L
16	1	2481610	Hexagon nut M10 EIZn DIN 934
17	7	2957766	Hexagon nipple GEK BSP 1/2" L12 ED
18	1	2245046	Handle 1066S D10
19	2	2422259	Hexagon screw M8x60 EIZn 8.8 DIN 931
20	1	2955271	Valve priority setting FPRF 3/8 G
21	1	2955234	Valve BM40/3 ZB GU/JS D1/JS
22	1	41311006	Valve rod
23	1	2955341	Throttle/non-return valve 3/8
24	1	2485615	Panel nut M20x1
25	1	41331009	Control panel
26	1	41331013	Bracket
27	1	41331014	Front cover
28	1	2957953	Minimes 3/8 BSP
29	2	2533051	Body washer Ø8,4/20x2 EIZn
30	1	41311220	Handle
31	1	2245048	Handle M8 SR6408

014 Hydraulic block VM410



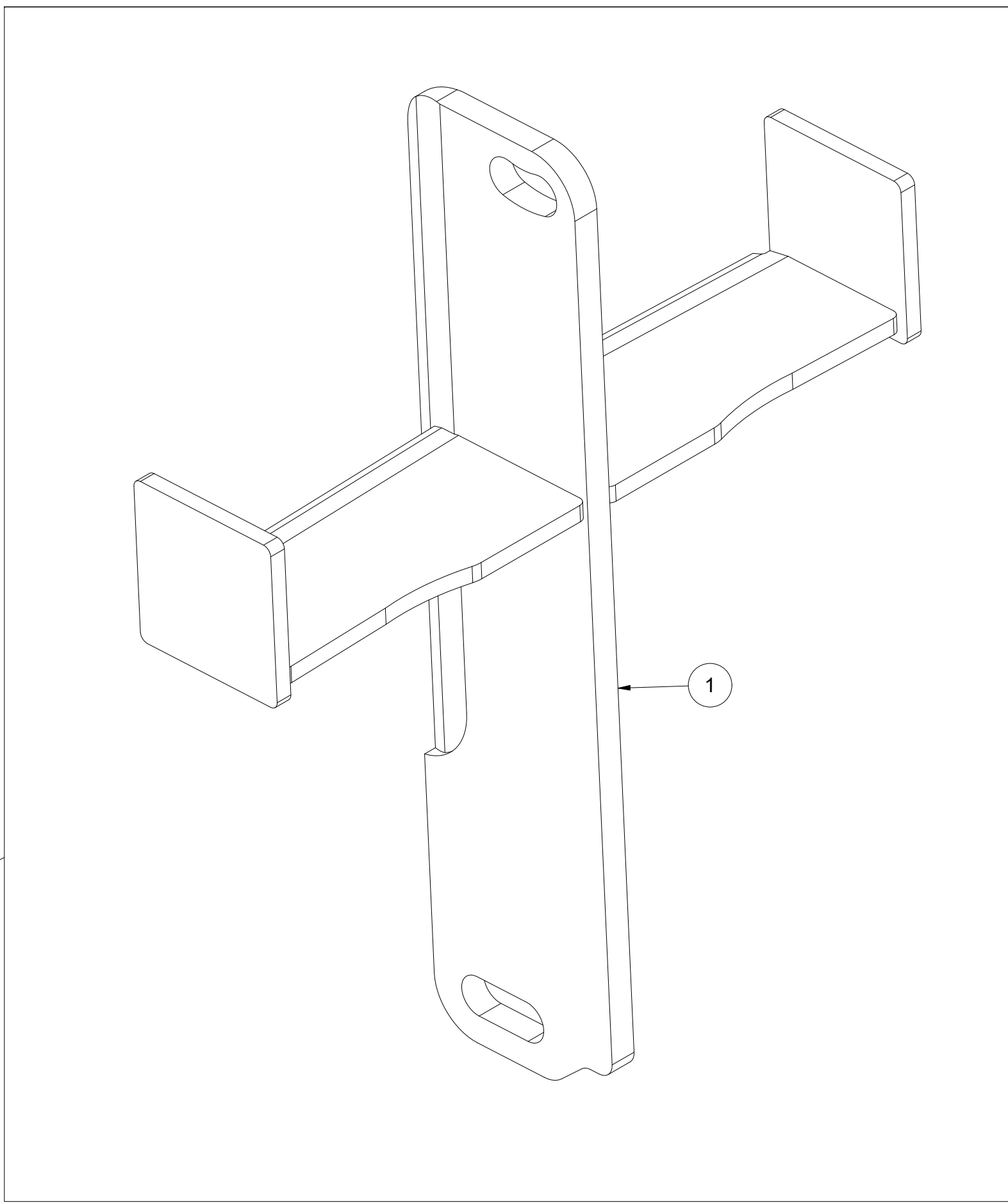
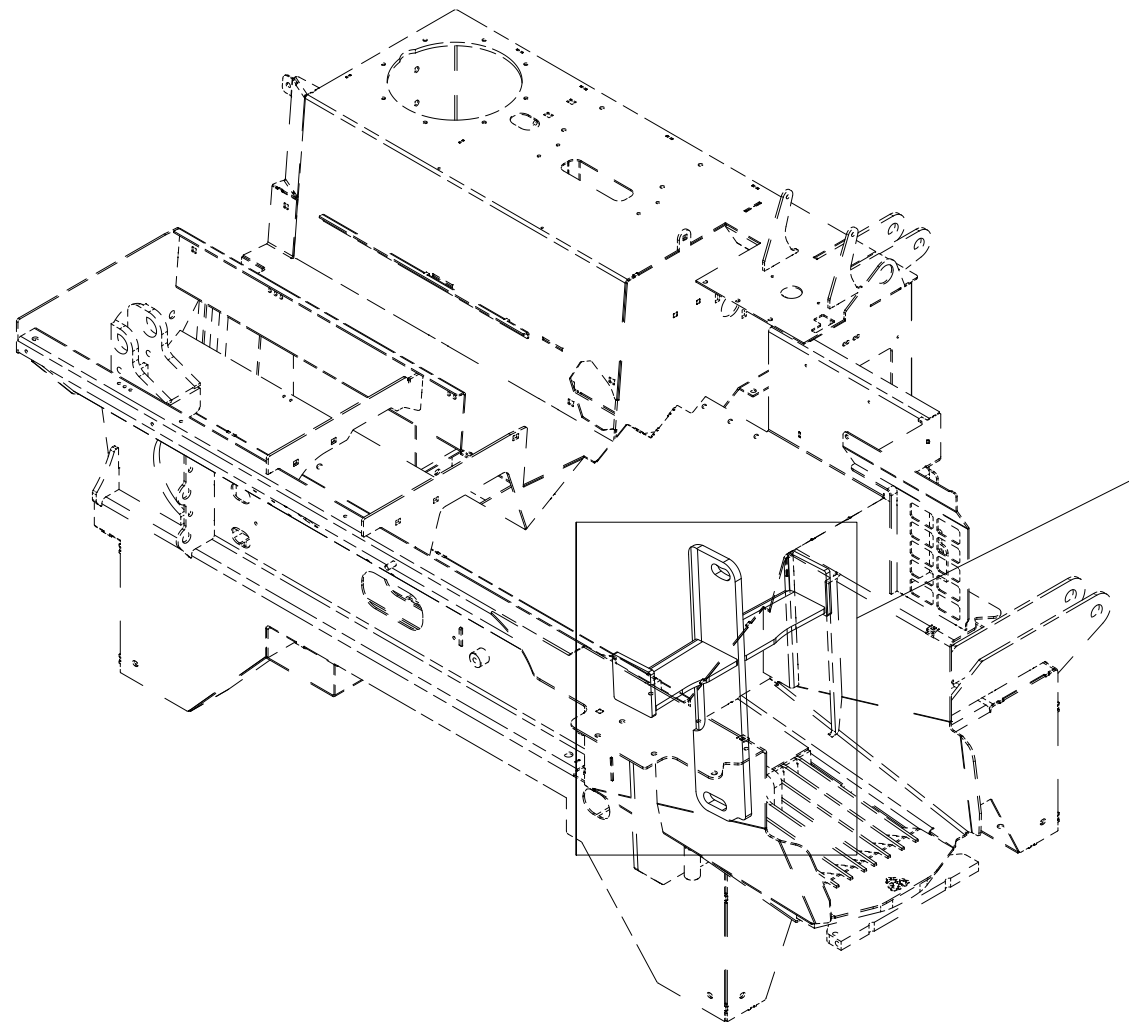
Pos	Qty	Article no	Designation
1	1	2955419	Regenerative Block Duun VM370
2	2	2955251	Valve DHI-0-714/8-X12
3	4	2957768	Hexagon nipple GEK BSP 1/2" L15 ED
4	4	2957773	Hexagon nipple GEK BSP 3/4" L22 ED
5	1	41311095	Hydraulic block bracket
6	1	2955331	Non-return valve 3/8" 0,5Bar
7	1	2957749	Hexagon nipple GEK BSP 3/8" L12 ED
8	1	2957747	Swivel nipple EVGE 15L BSP 1/2" ED
9	1	2957775	T-Hexagon nipple EVTK 15L
10	1	2957750	Hexagon nipple GEK BSP 3/8" L15 ED
11	8	2531047	Washer M8 EIZn DIN 125
12	8	2534047	Spring washer M8 EIZn DIN 127
13	8	2422246	Hexagon screw M8x25 EIZn 8.8 DIN 933
14	1	41311164	Plate
15	1	2957766	Hexagon nipple GEK BSP 1/2" L12 ED
16	8	2477179	Unbrako socket head screw M5x45 EIZn DIN 912
17	1	4233010	Thermostat 80 degrees
18	2	2957956	Minimess DKO 15L
19	2	2957776	T-Hexagon nipple EVLK 15L

015 Cylinder 11 t VM410



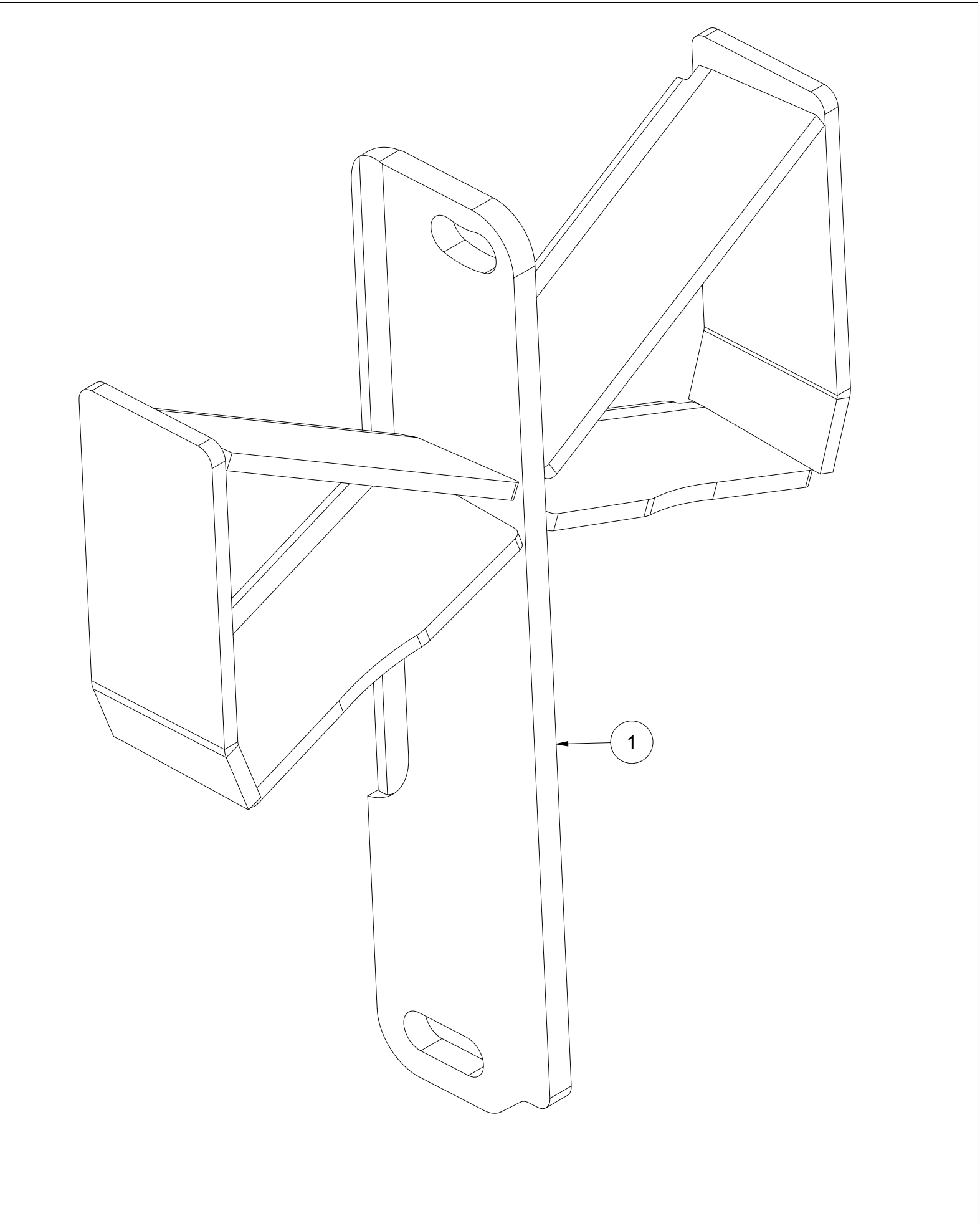
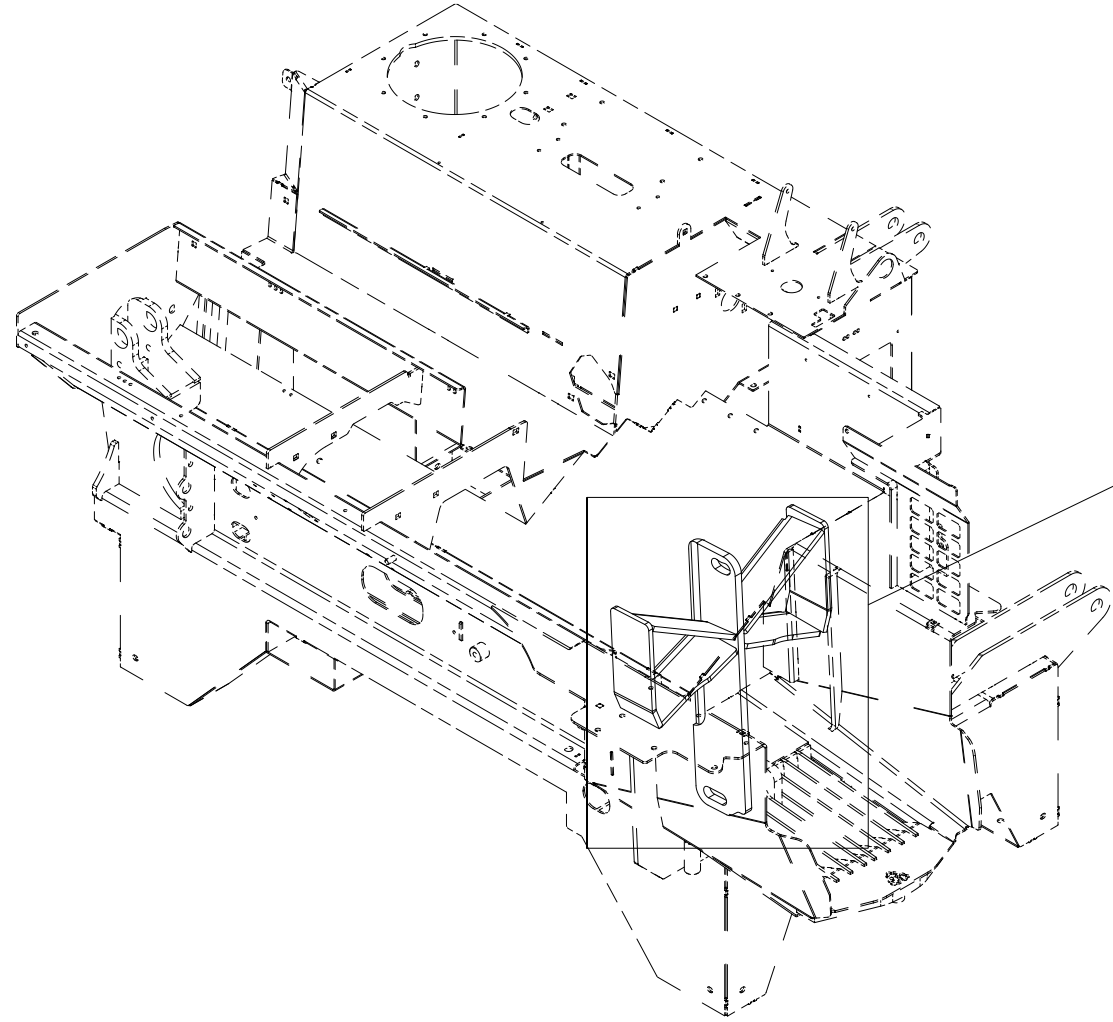
Pos	Qty	Article no	Designation
4	4	2422297	Hexagon screw M10x25 EIZn 8.8 DIN 933
5	4	2483610	Locking nut M10 EIZn DIN 985
6	8	2531060	Washer M10 EIZn DIN 125
7	1	41331015	Support plate Ø80 VM410
8	1	41201074	Upper plate Ø80
9	1	2955010	Cylinder Giubelli C#2610800700580BGA1700
10	1	2957772	Hexagon nipple GEK BSP 3/4" L15 ED

016 4-parts splitting knife VM410



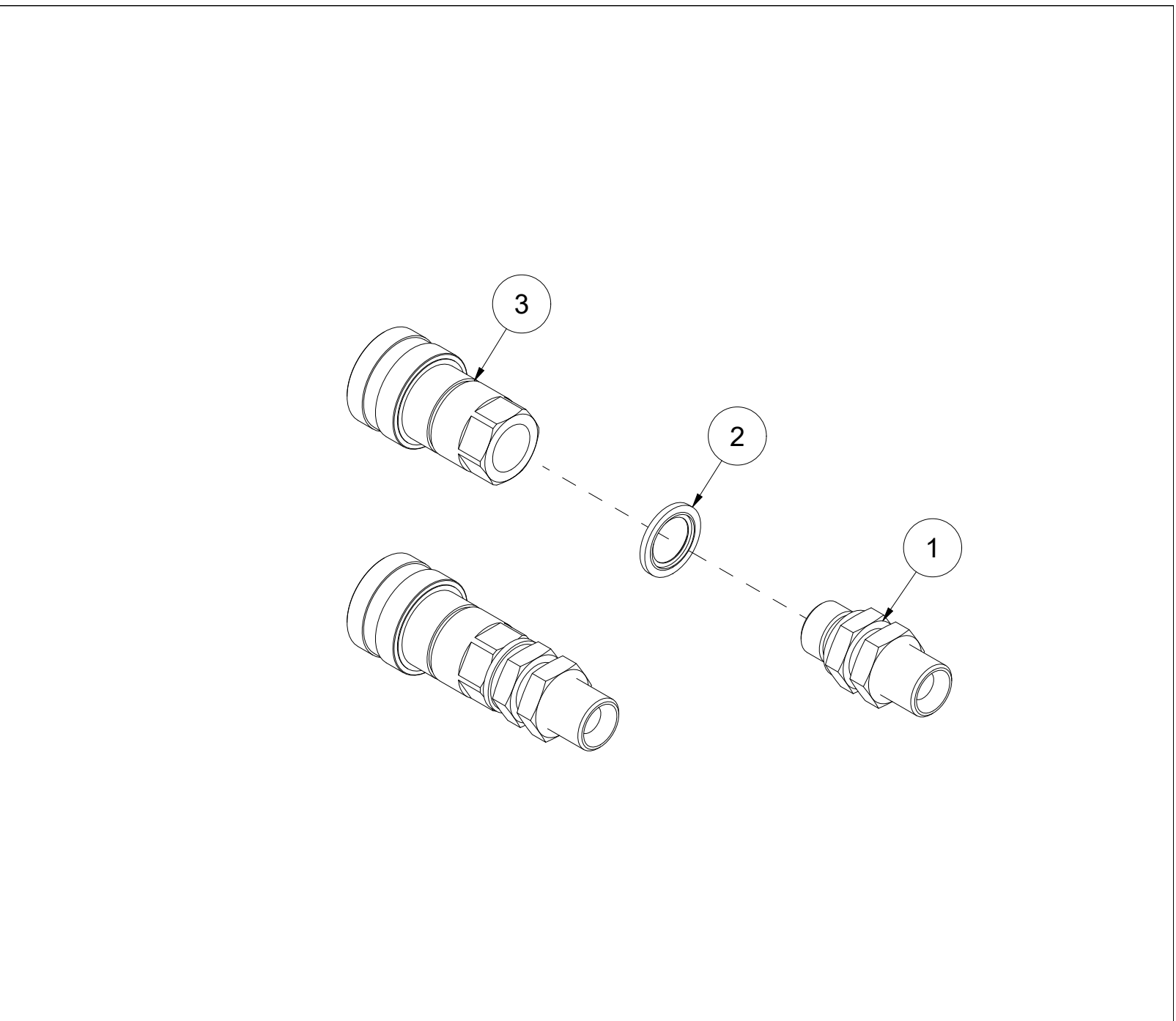
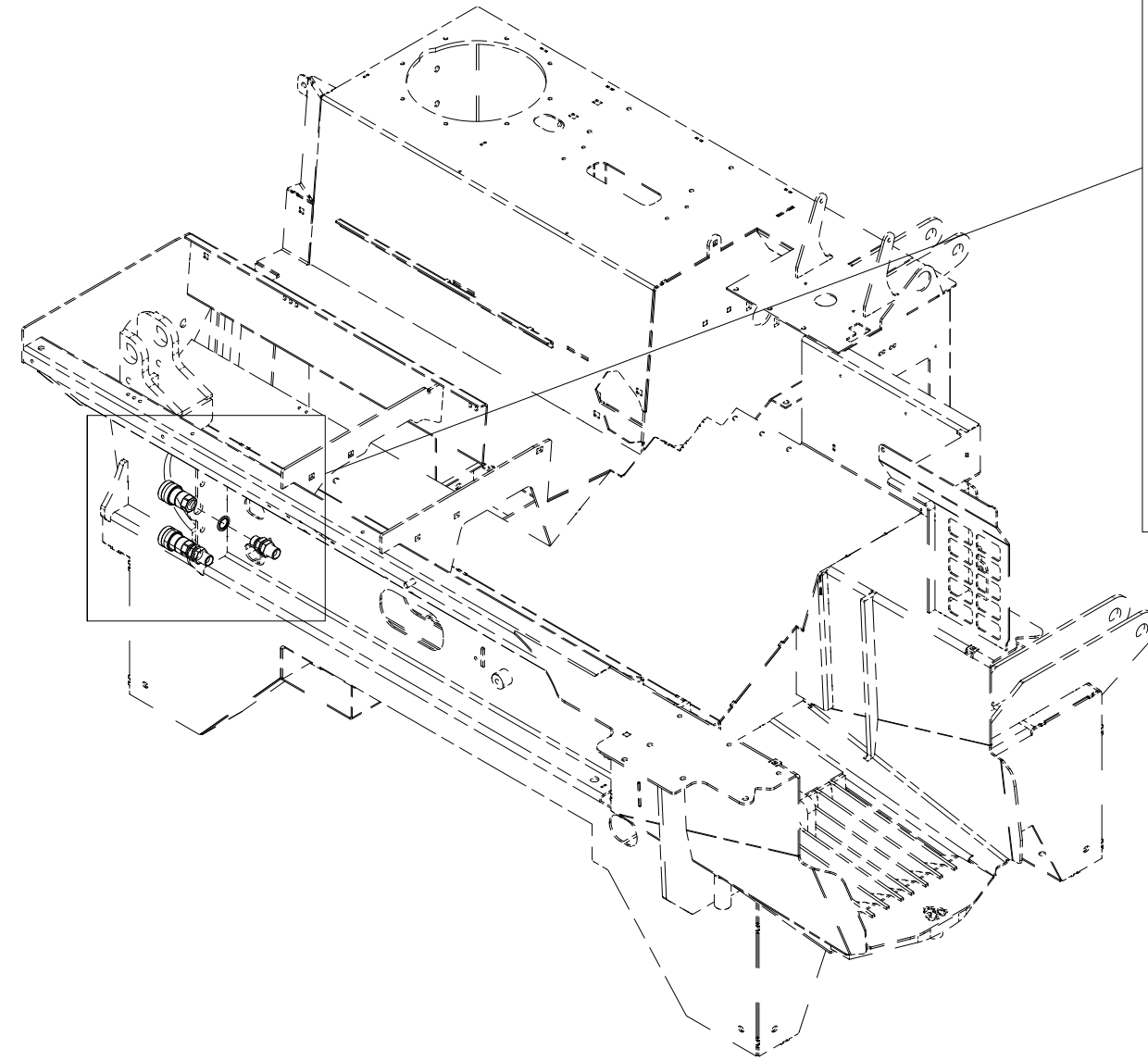
Pos	Qty	Article no	Designation
1	1	41311128	4-parts splitting knife

017 6-parts splitting knife VM410



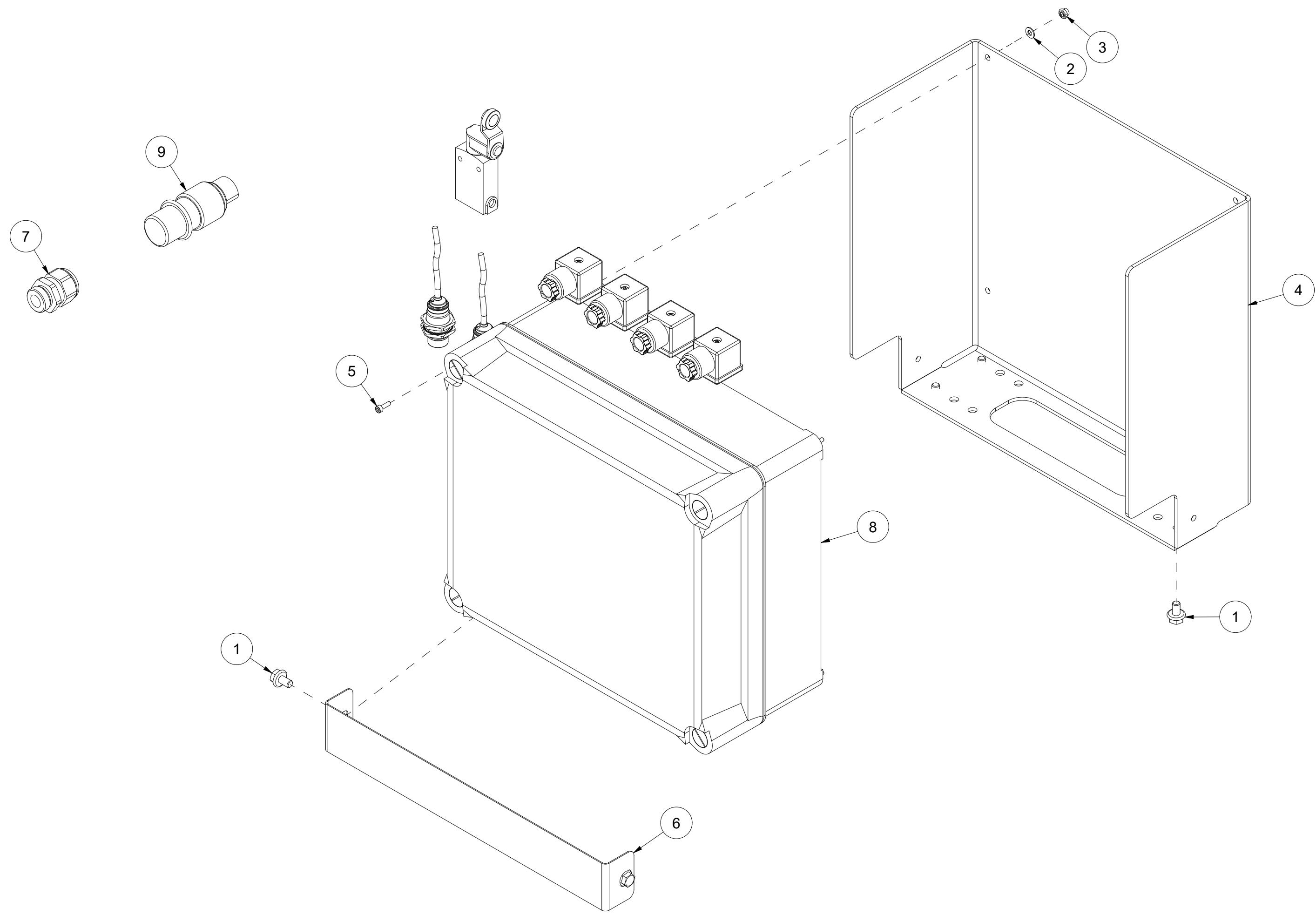
Pos	Qty	Article no	Designation
1	1	41311035	6-parts splitting knife

018 Outlet for log rack VM410



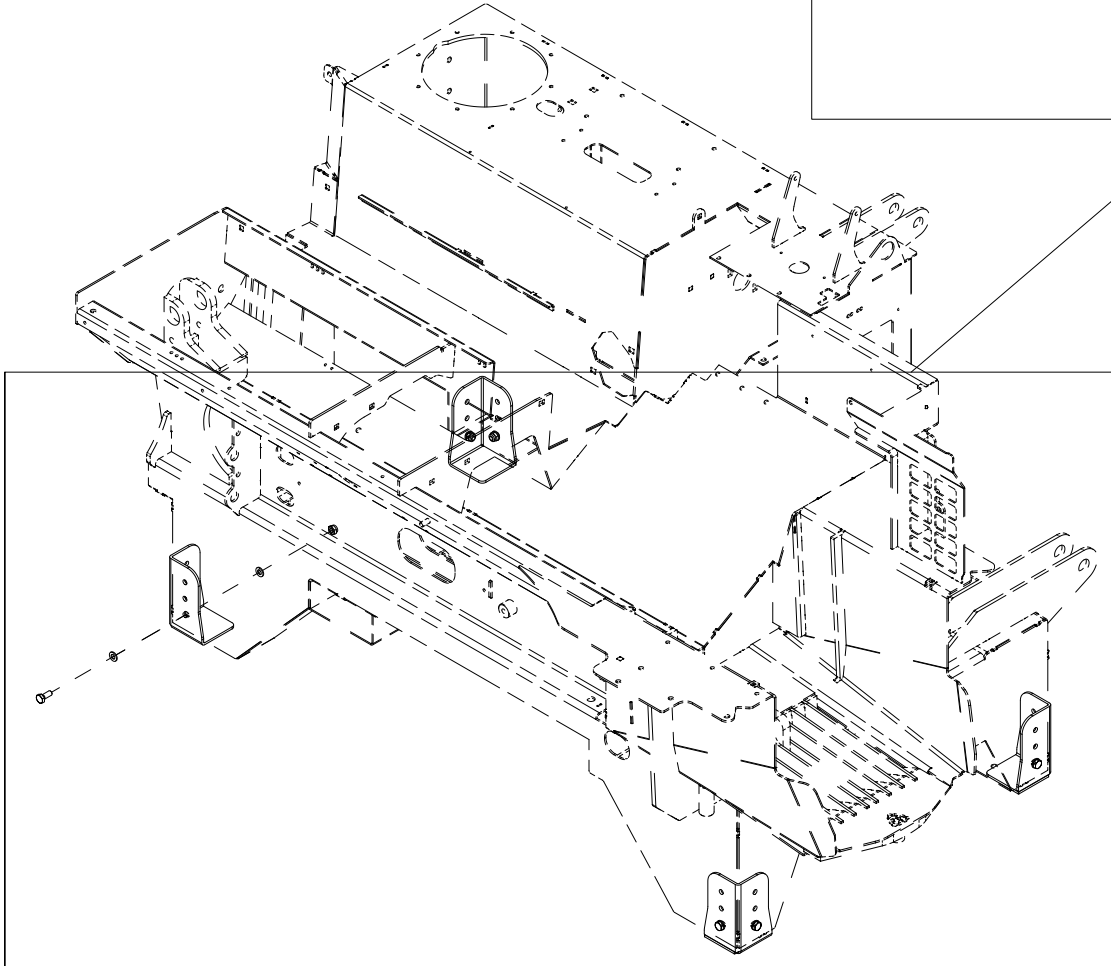
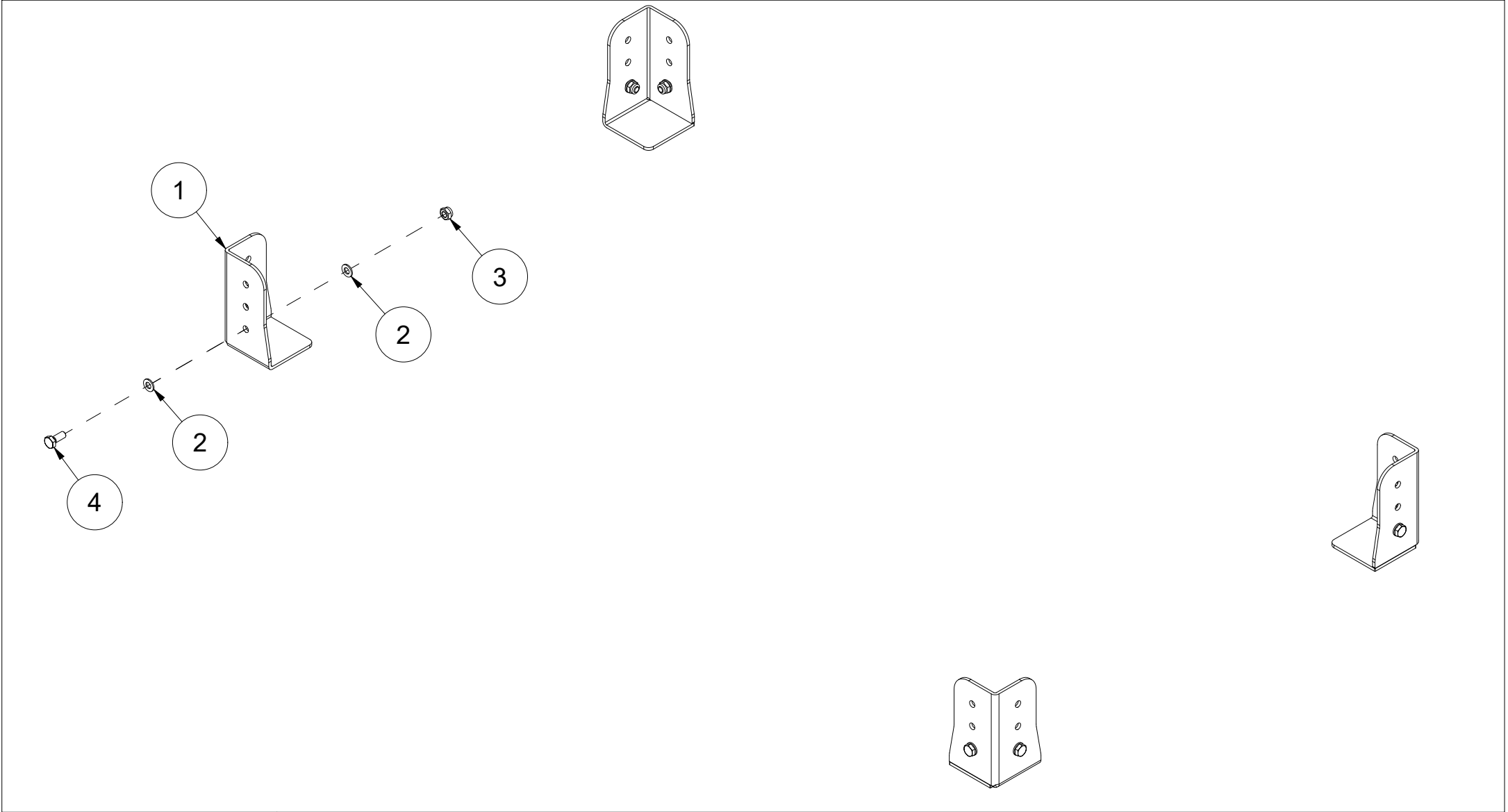
Pos	Qty	Article no	Designation
1	2	2957804	Bulkhead bushing 1/2" BSP
2	2	2957861	Hydraulic gasket 1/2"
3	2	2957858	Quick coupling 1/2" fem.

019 Electronics box VM410



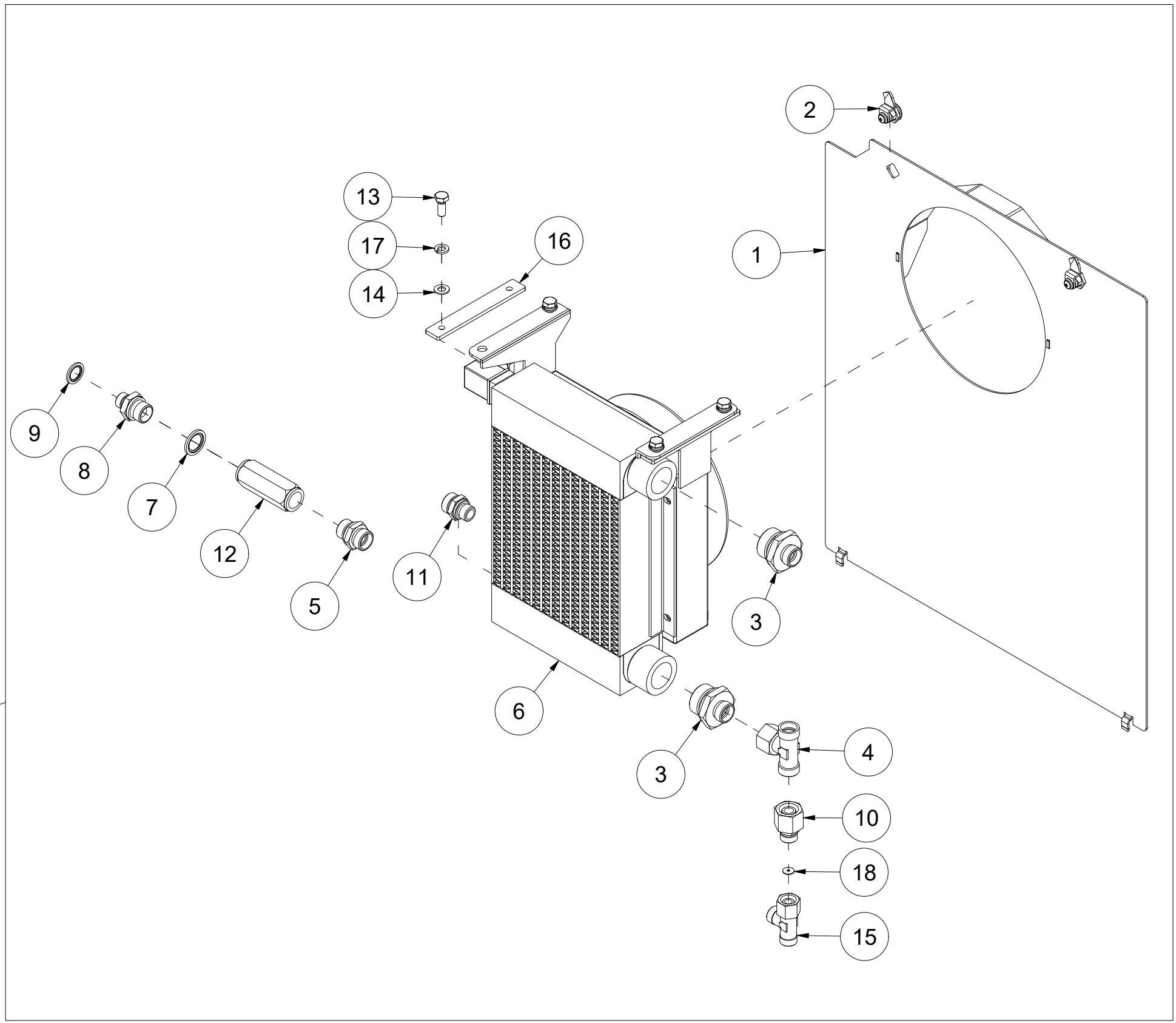
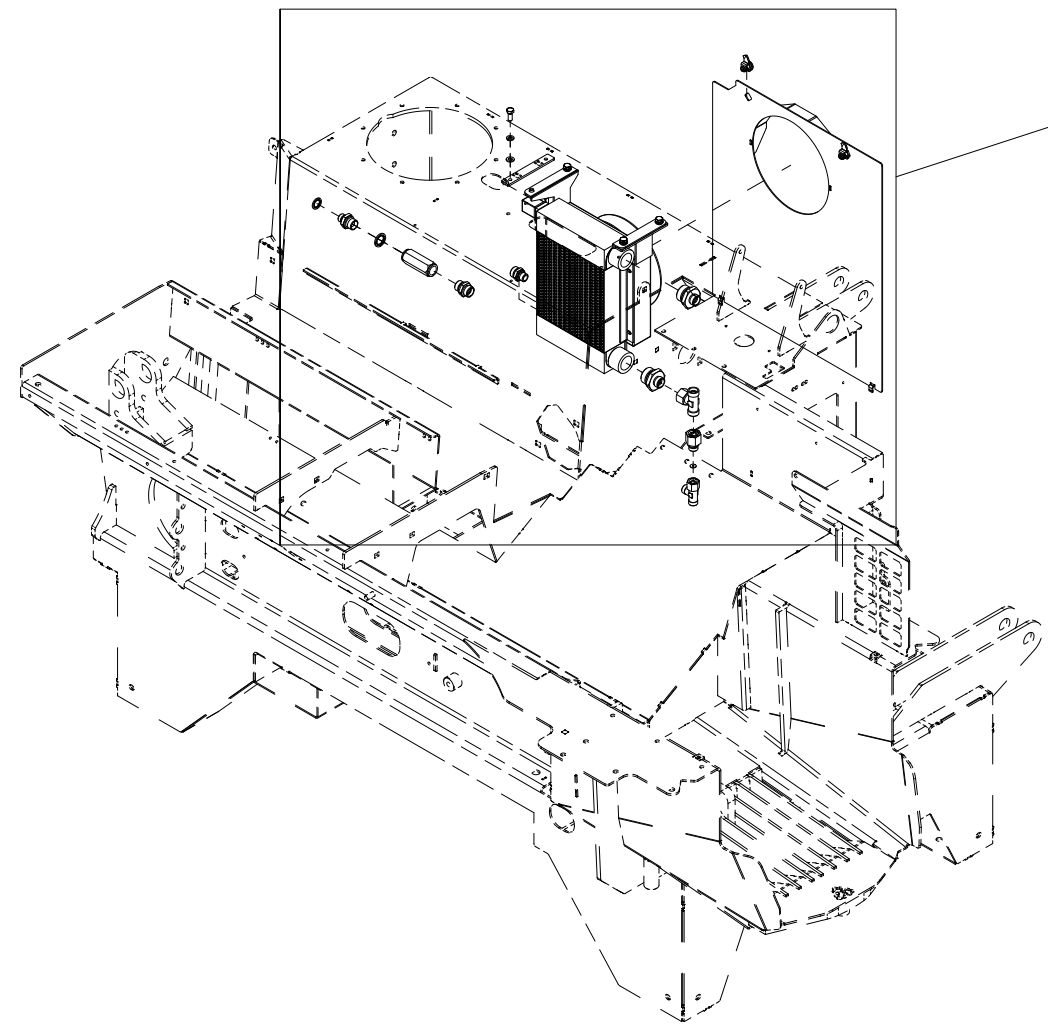
Pos	Qty	Article no	Designation
1	6	2451196	Hexagon screw with flange M6x10 EIZn 8.8 DIN 6921
2	4	2531023	Washer M4 EIZn DIN 125
3	4	2483606	Locking nut M4 EIZn DIN 985
4	1	41311213	Electrical box bracket
5	4	2477103	Unbrako socket head screw M3x10 EIZn DIN 912
6	1	41311214	Cover
7	1	4127615	Nipple with strain relief M20
8	1		Junction box VM370/410 complete
9	1	4321701	3 pin male plug connector

020 Support legs VM410



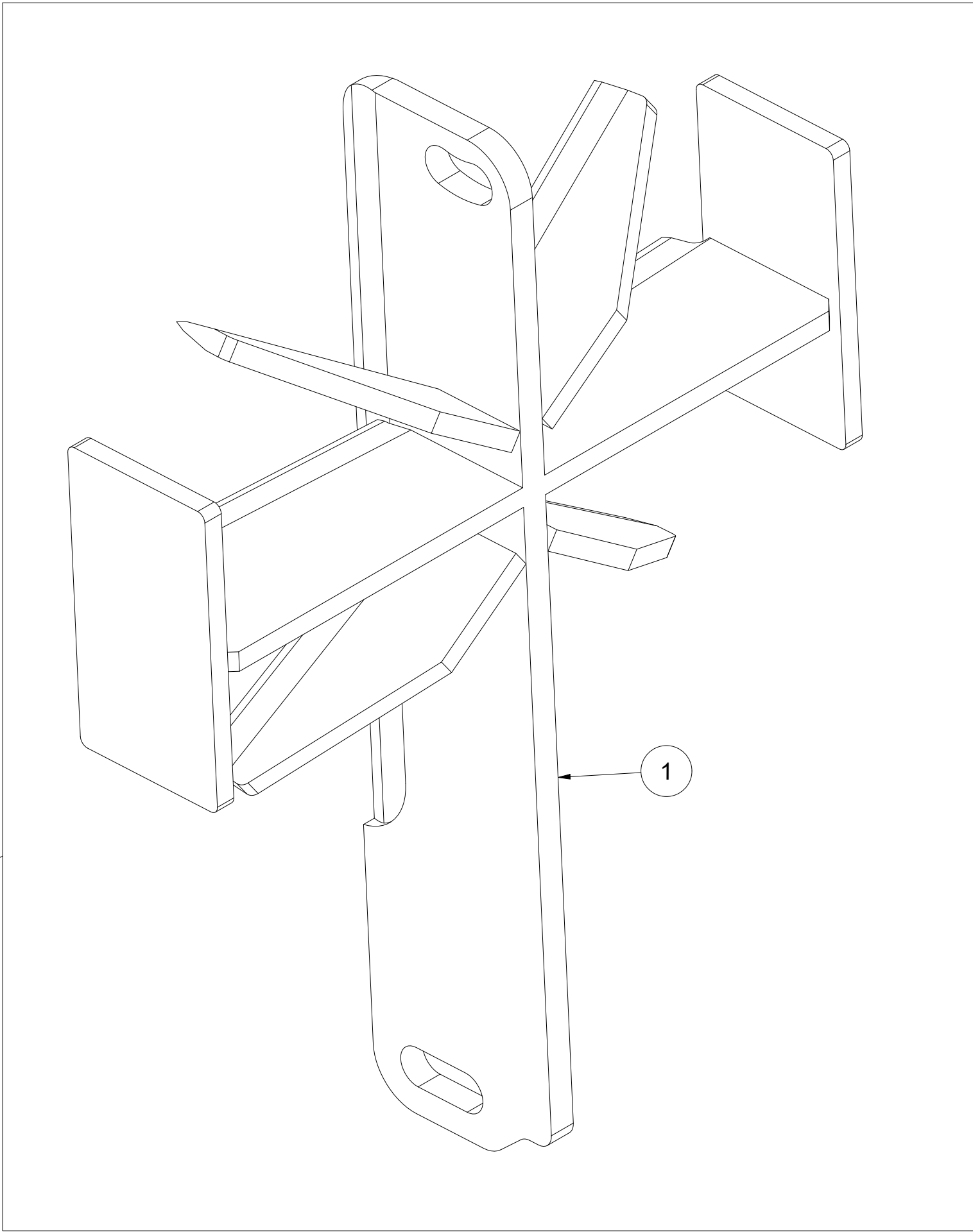
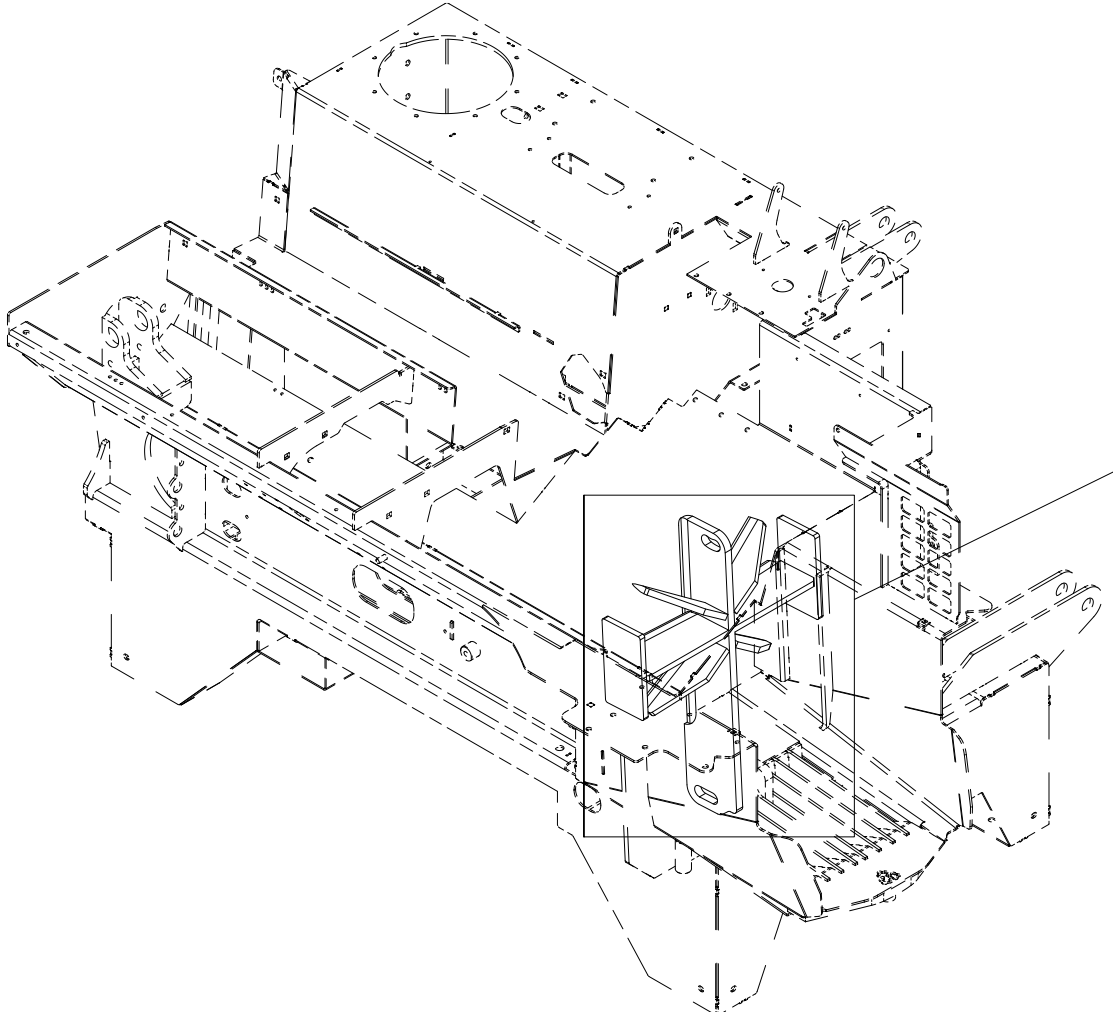
Pos	Qty	Article no	Designation
1	4	41201131	Leg
2	16	2531060	Washer M10 EIZn DIN 125
3	8	2483610	Locking nut M10 EIZn DIN 985
4	8	2422297	Hexagon screw M10x25 EIZn 8.8 DIN 933

021 Oil cooler VM410



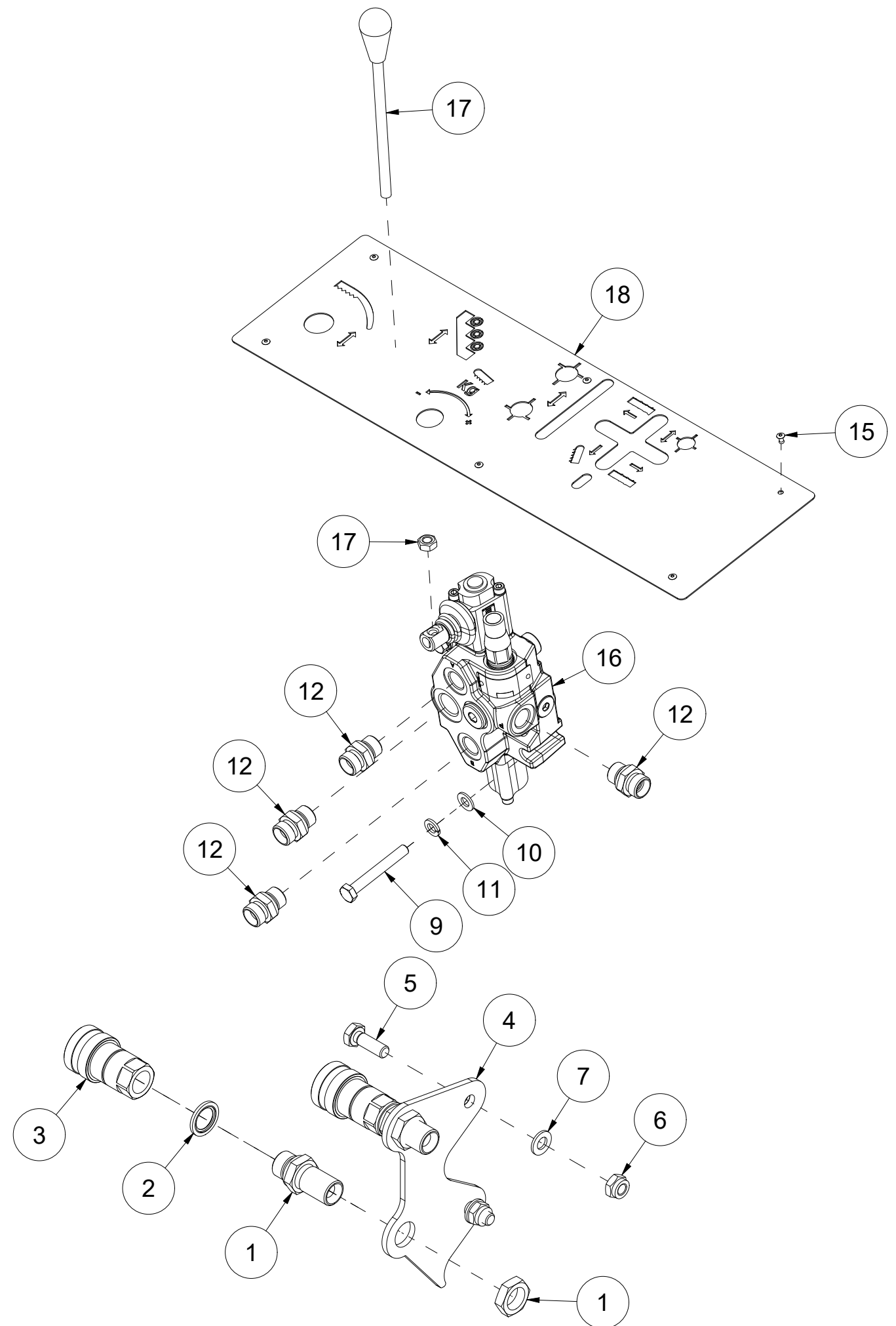
Pos	Qty	Article no	Designation
1	1	41311175	Cover for oil cooler
2	2	2931024	Cross track lock - Euro Lock
3	2	2957780	Hexagon nipple GEK BSP 1" L15 ED
4	1	2957775	T-Hexagon nipple EVTK 15L
5	1	2957768	Hexagon nipple GEK BSP 1/2" L15 ED
6	1	4253052	Oil cooler
7	1	2957861	Hydraulic gasket 1/2"
8	1	2957763	Hexagon nipple BSP 1/2" - 3/8"
9	1	2957890	Hydraulic gasket 3/8"
10	1	2957513	Reducer L15-L12
11	1	2957750	Hexagon nipple GEK BSP 3/8" L15 ED
12	1	2955297	Non-return valve 1/2" 6,0 Bar
13	4	2422244	Hexagon screw M8x20 EIZn 8.8 DIN 933
14	4	2531047	Washer M8 EIZn DIN 125
15	1	2957723	T-Hexagon nipple EVLK 12L
16	2	41311195	Nut plate
17	4	2534047	Spring washer M8 EIZn DIN 127
18	1	41311176	Nozzle Ø3,2/12x1

022 8-parts splitting knife VM410



Pos	Qty	Article no	Designation
1	1	41311212	8-parts splitting knife

023 Outlet for step feeder



Pos	Qty	Article no	Designation
1	2	2957804	Bulkhead penetration 1/2" BSP
2	2	2957861	Hydraulic gasket 1/2"
3	2	2957858	Quick coupling 1/2" fem.
4	1	41331032	Fastening plate
5	2	2422299	Hexagon screw M10x30 EIZn 8.8 DIN 933
6	2	2483610	Locking nut M10 EIZn DIN 985
7	4	2531060	Washer M10 EIZn DIN 125
9	2	2422259	Hexagon screw M8x60 EIZn 8.8 DIN 931
10	2	2531047	Washer M8 EIZn DIN 125
11	2	2534047	Spring washer M8 EIZn DIN 127
12	4	2957749	Hexagon nipple GEK BSP 3/8" L12 ED
15	6	2511372	Pop rivet
16	1	2955236	Non-return valve 1 flap VDM6 A1
17	1	2245037	Handle L205 M8
18	1	41331012	Symbol plate with knife lift